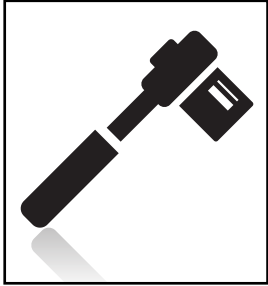


BEFORE ASSEMBLING YOUR TRAILER
FOLLOW INSTRUCTIONS IN YOUR SPOT
SPRAYER ASSEMBLY MANUAL

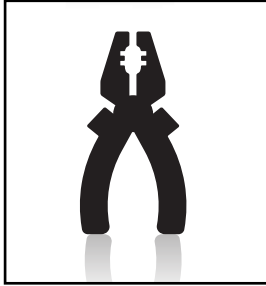
INCLUDED COMPONENTS

HAVING TROUBLE? CALL SUPPORT AT: 800.825.5397

TOOLS REQUIRED


















1/2" SOCKET WRENCH



PLIERS

NOTE:
ONCE YOU HAVE FINISHED THE SPOT SPRAYER AND TRAILER ASSEMBLY,
MOVE ON TO THE BOOM ASSEMBLY CARD, TO COMPLETE YOUR SPRAYER.

 Axle (1) 31-100464 or 31-100469	 Frame Spine (1) 31-100461 or 31-100468	 Front Tank Mount (1) 31-100462 or 31-100467	 Axle Bracket (1) 31-100463 or 31-100470	 Lock Pin (1) 905PA
 Wheel (2) TWA410/350-4	 Right Boom Mount (1) 31-100465 or 31-100472	 Left Boom Mount (1) 31-100466 or 31-100471	 Top Hitch Plate (1) 31-100121	 Bottom Hitch Plate (1) 31-100138
 1/2" Hex Bolts (4) 33-100114	 1" Hex Bolt (2) 33-100116	 Flange Nuts (8) 33-100113	 1" Carriage Bolts (2) 33-100112	 Cotter Pins (2) 33-100091

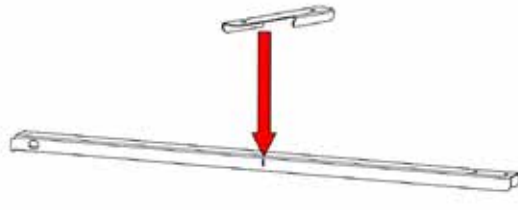
1.

PARTS

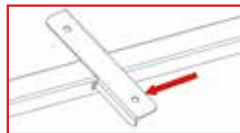


TOOLS

None



NOTE: It is possible you may need to use a rubber mallet or a soft impact tool to fully lock the tank mount into the slot.



Attaches Front Tank Mount to Frame Spine



Set the Front Tank Mount onto the Frame Spine near the slots in the middle of the Frame Spine.

Firmly rotate the Front Tank Mount until the tabs of the mount lock into the slots in the Frame Spine.

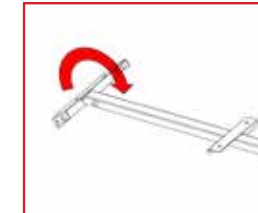
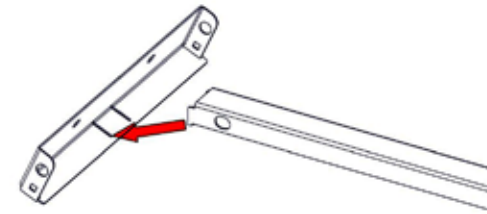
2.

PARTS



TOOLS

None



Attaches Axle Bracket to Frame Spine



Press the tabbed end of the Frame Spine into the slots under the Axle Bracket.

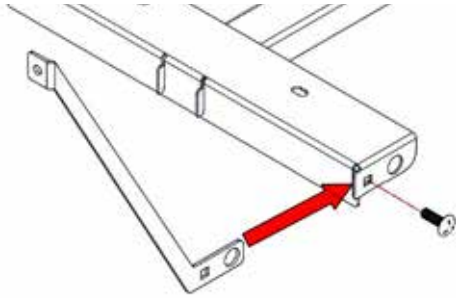
Firmly rotate the Axle Bracket until its top plate locks into and is flush with the Frame Spine.

3.

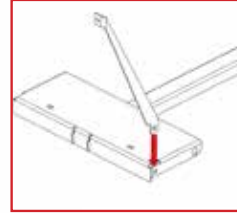
PARTS



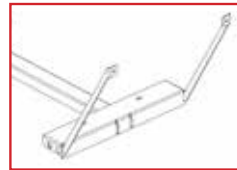
TOOLS



25 Gallon Version Inserts from Above



Attaches Boom Mounts to Frame



Insert the Right Boom Mount into the slot on the rear (for 15 gallon) or top (for 25 gallon) of the Axle Bracket.

Align the square holes of each part and insert a 1" Carriage Bolt, secure with Flange Nut and tighten with 1/2" Socket Wrench.

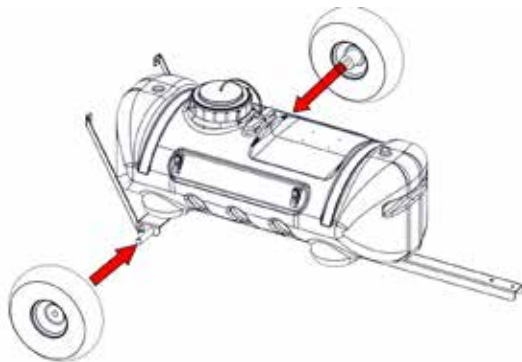
Repeat for Left Boom Mount.

5.

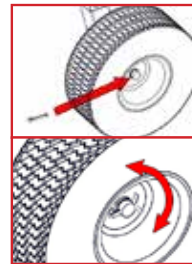
PARTS



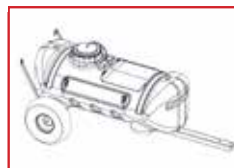
TOOLS



Insert Cotter Pin, then bend the ends out with Pliers.



Adds Wheels to Trailer Frame



Slide the conical side of the Wheels on the Axle.

Insert Cotter Pins through the holes in each Axle.

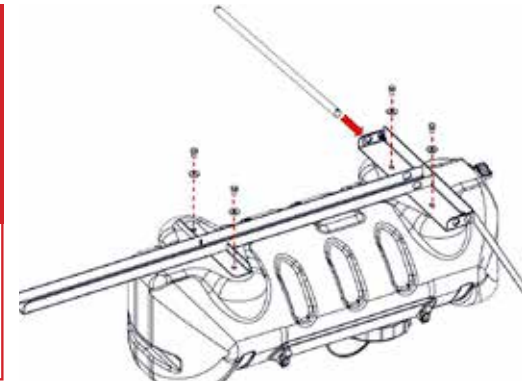
Use Pliers to bend the ends of the Cotter Pins, to ensure the Wheels can't slide off of the Axles.

4.

PARTS



TOOLS

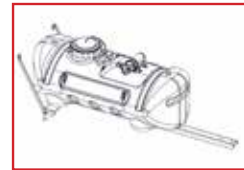


Gently flip the Sprayer Tank over on a flat surface and position the Front Tank Mount and Axle Bracket so the slots line up with the mounting holes on the bottom of the Sprayer Tank.

With a 1/2" Socket Wrench, secure to Sprayer Tank with 1/2" Hex Bolts.

Slide the Axle through the large holes in the Axle Bracket.

Attaches Axle & Sprayer to Frame

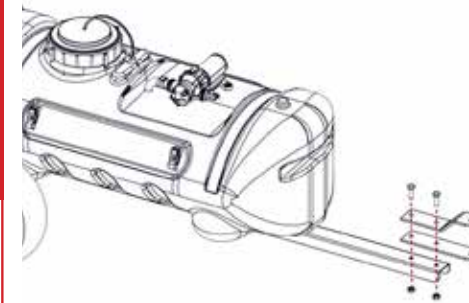


6.

PARTS



TOOLS



Place the Bottom Hitch Plate under the Top Hitch Plate and align the holes with the holes in the end of the Frame Spine.

Insert 1" Hex Bolts and secure with Flange Nuts. Tighten with 1/2" Socket Wrench.

Use Lock Pin to attach Trailer Tongue to Hitch of transportation.

NOTE: After adding the Hitch, move on to your Boom Assembly Card to install your boom on your sprayer.

Attaches Hitch to Frame

