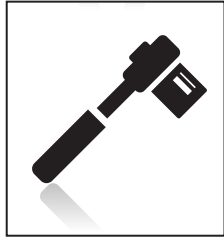
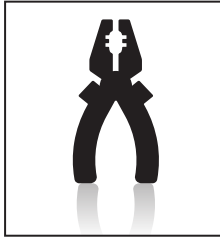


INCLUDED COMPONENTS

TOOLS REQUIRED



1/2" & 9/16"
SOCKET WRENCH



PLIERS

NOTE:
IF YOU PURCHASED A COMPLETED BROADCAST SPRAYER,
FOLLOW THE SPOT SPRAYER MANUAL AND BOOM KIT
ASSEMBLY INSTRUCTIONS BEFORE YOU COMPLETE THE
FOLLOWING ASSEMBLY STEPS.

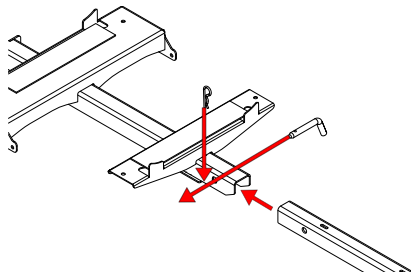
- | | | | | |
|---|---|-------------------------------------|--|--|
| | NOTE: The Spot Sprayer comes pre-installed on the Frame Assembly. It has been omitted from some of the following drawings for clarity. | | | |
| Frame Assembly (1)
32-100041 | | Axle (1)
32-100100 | Tongue (1)
32-100106 | 5/16-18 Flange Nut (12)
33-100113 |
| | | | | |
| Washer (4)
33-100115 | 5/16-1 Hex Bolt (12)
32-100116 | Cotter Pin (2)
33-100127 | 3/8-16 Flange Nut (2)
33-100131 | 3/8-1 Hex Bolt (2)
33-200020 |
| | | | | |
| Locking Hitch Pin (1)
905PA | Wheel (2)
TWA16X6.50-8 | Boom Mount (1)
32-100063 | Adjustable Hitch (1)
32-100066 | Hitch Pin (1)
722HP |

1.

PARTS



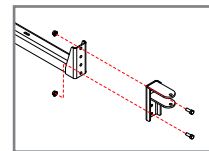
TOOLS



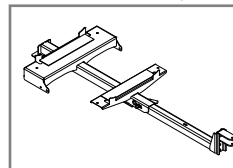
Align the holes on the Adjustable Hitch and Tongue.

Insert 3/8" - 1" Hex Bolts and tighten with 3/8" Hex Nuts with 9/16" Socket Wrench.

Then, insert the Tongue into the Frame Assembly and secure with the 722HP Hitch Pin.

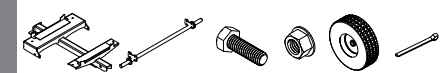


Assembles Trailer Tongue

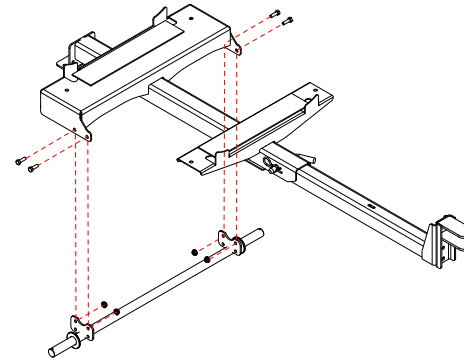


2.

PARTS



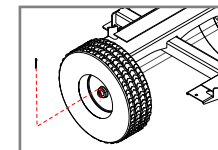
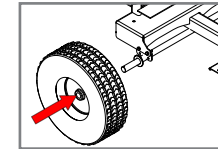
TOOLS



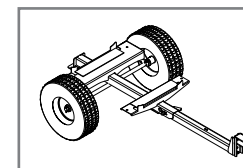
Align holes in axle plate with holes in back of Frame Assembly. Secure with 5/16" - 1" Hex Bolts and 5/16" Flange Nuts. Tighten securely with 1/2" Socket Wrench.

Slide Wheels over Axle making sure Valve Stems are facing out away from the Frame Assembly.

Insert Cotter Pins through the holes on each Axle. Use Pliers to bend the ends of the Cotter Pins, to ensure the Wheels can't slide off the Axles.



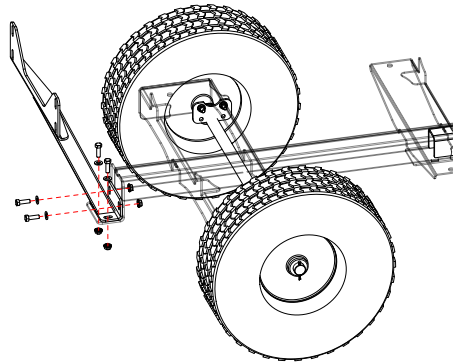
Attaches Axle and Wheels to Frame



3. PARTS

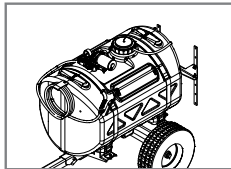


TOOLS

NOTE: Boom Mount has holes for installation of Boom Assembly. Reference Boom Assembly Card for needed components to install.

Adds Boom Mount to Frame Assembly



Align the holes of the end of the Boom Mount to the holes on the rear of the Frame Assembly.

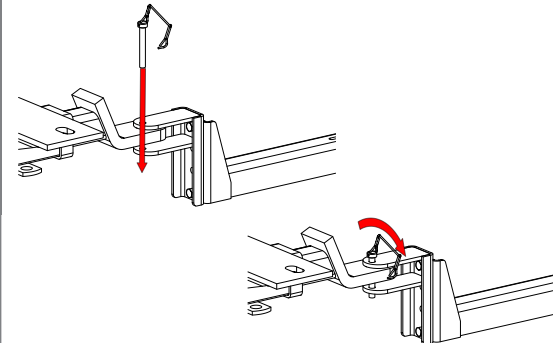
Secure Boom Mount with 5/16"-1" Hex Bolt, Washers, and Flange Nuts. Tighten with 1/2" socket wrench. The washer needs to be installed on the side with the slots.

4. PARTS



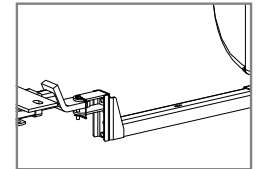
TOOLS

NONE



NOTE: Follow your Boom Assembly Card to complete your boom before finishing this step.

Hitches Sprayer Tongue to Vehicle

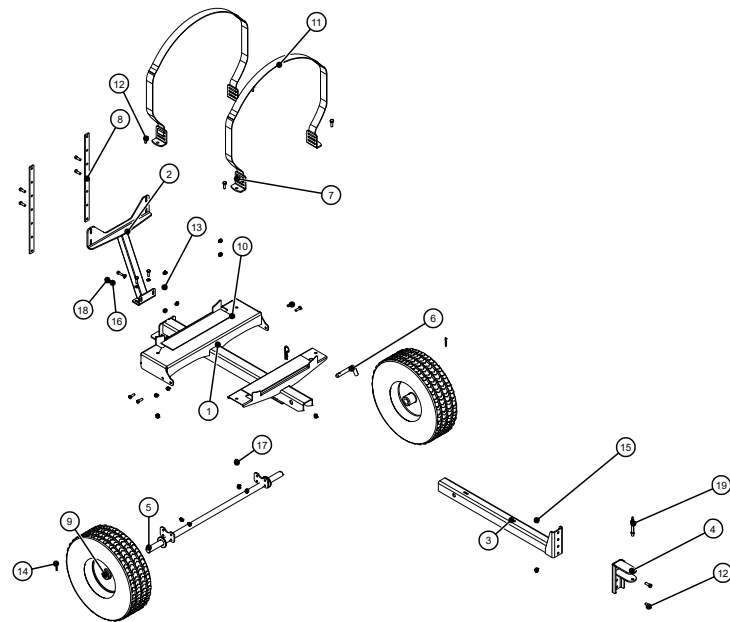


Stand the Sprayer up on its Wheels.

Slide the Tongue over the open end of the Frame Assembly. Line up Tongue and Frame Assembly Holes.

Insert Locking Hitch Pin through holes and close Lock Pin.

B. BREAKDOWN



ID	Part Number	Description	Qty
1	32-100041	FRAME, TRAILER, 40/60GAL	1
2	32-100063	MOUNT, BOOM, 40&60 GAL	1
3	32-100100	TONGUE, FLEX FRAME, 40/60GAL	1
4	32-100066	HITCH, ADJ, 40 & 60 GALL	1
5	32-100100	AXEL, FLEX FRAME, 40/60GAL, 1"	1
6	722HP	KIT, BOLT, 40/60GAL TRAILER	1
7	TD-150	CLAMP, TIE DOWN, 1.5" STRAP, ZINC	4
8	31-100160	BRACKET, UPRIGHT, SPRAY BOOMS	2
9	TWA16X6.50-8	TIRE WHEEL ASSY. 16X6.50-8 X 1" SEALED AXLE BRG.	2
10	33-103739	Pad, Rubber, 1/8" x 3" x 25", Anti-Slip	2
11	TDS1.5-67	TIE DOWN STRAP, POLYESTER, BLACK, 1.5"x67"	2
12	33-200020	BOLT, 3/8-16 X 1", HEX HEAD	6
13	33-100113	NUT, 5/16-18, SERRATED FLANGE	8
14	33-100127	COTTER PIN, 1/8"x1-1/2" LONG	2
15	33-100131	NUT 3/8", SERRATED FLANGE	2
16	33-100115	WASHER, 5/16", ZINC PLATED	4
17	33-100136	NUT, NYLON LOCK, 3/8"	4
18	33-100116	BOLT, 5/16-18 X 1"	12
19	905PA	PIN, LOCK FOR PTO ADAPTOR, 3/8" PIN DIAMETER	1