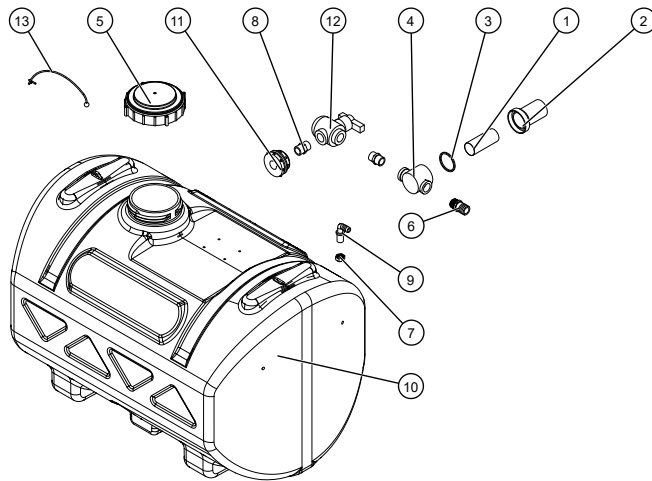


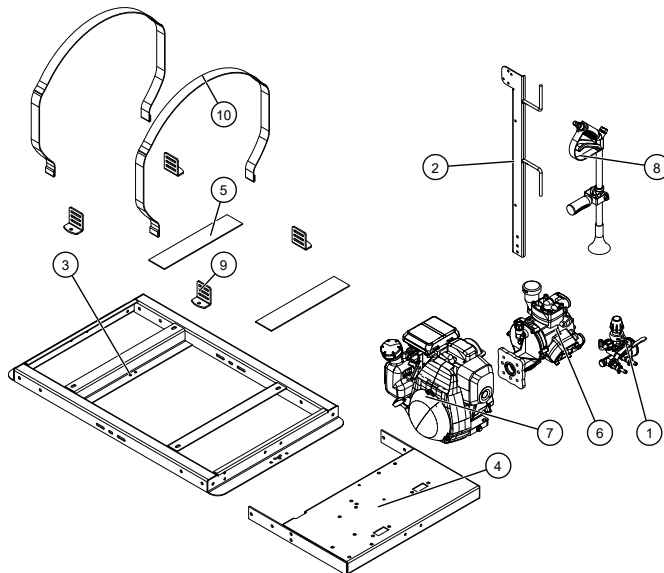
FULLY ASSEMBLED SKID SPRAYER: SUW-05-060J

SPRAYER BREAKDOWN

SPRAYER



FRAME



CLOSELY INSPECT ALL CONTENTS IN THE SHIPPING CARTON

- If you have damaged components: Contact the freight company that delivered the unit to file a claim.
- If you have missing components: Contact us at 800.825.5397.

ID	Part Number	Description	Qty
1	10684	Strainer Screen	
2	11278	Strainer Bowl	
3	11302	Strainer Gasket	
4	11317	Strainer Body	
5	33-103221	Tank Lid	
6	3A34100	Straight Fitting 3/4 MPT x 1" Hose Barb	
7	3B12	Nozzle Nut	
8	3M34	Nipple 3/4" MPT x 3/4" MPT	
9	3TL12-C	Elbow 11/16 MPS x 1/2" Hose Barb	
10	33-103246	60 Gallon spot Sprayer Tank	
11	BHF34	Bulk Head Fitting	
12	PBV3-34	3-Way Ball Valve	
13	33-103222	Tank Lid Tether	

ID	Part Number	Description	Qty
1	1204.0564.00	Regulator Assembly Kit	1
2	32-100051	Sprayer Control Post	1
3	32-100060	Frame	1
4	32-101000	Engine Mount	1
5	33-103739	Anti-Slip Pad	2
6	6114.0009.00	APS 41 Pump	1
7	ENG-R210-3/4	Engine	1
8	SG-3200	Long Range Spray Gun	1
9	TD-150	Tie Down Bracket	4
10	TDS1.5-67	Tie Down Strap	2