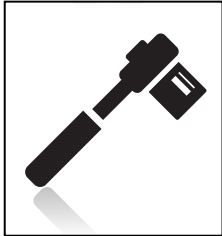
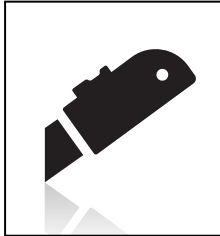


INCLUDED COMPONENTS

TOOLS REQUIRED



1/2" SOCKET WRENCH



KNIFE

**NOTE:**  
IF YOU PURCHASED A COMPLETED BROADCAST SPRAYER, FOLLOW THE SPOT SPRAYER MANUAL AND MOUNT KIT ASSEMBLY INSTRUCTIONS BEFORE YOU COMPLETE BOOM ASSEMBLY STEPS.



10' Boom Assembly (1)  
34-100009



Boom Upright Bracket (2)  
31-100160



Deflector Nozzle (3)  
DF3.0



1" Bolts (6)  
33-100116



Flange Nuts (6)  
33-100113



Ball Check Strainer (3)  
NS-50BC



Deflector Nozzle Cap (3)  
G-8253051



Gasket (3)  
G-G00002020

Additional bolts and nuts included.  
Not all will be used for assembly.

**SPRAYING SIMPLE**  
MOBILE SPRAY ASSISTANT

FREE



INTEGRATE YOUR SPRAY EQUIPMENT AND ACREAGE. CALCULATE YOUR NEEDED LIQUID AND APPLICATION SPEED.

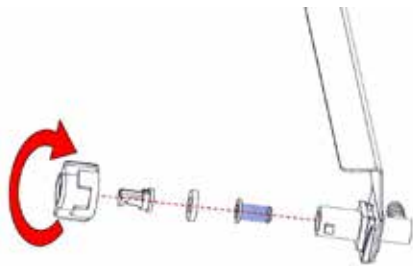
1.

PARTS



TOOLS

None



Installs Nozzles, Strainers & Caps



For each Nozzle Body, insert a Strainer, Gasket and Deflector Fan Nozzle as shown here.

Push Nozzle Cap onto the Nozzle Body and twist to secure it. Repeat for remaining Nozzle.

2.

PARTS



TOOLS



NOTE: Boom Upright Brackets may not be needed. Consult Mount Kit Assembly instructions.

Attaches Boom Uprights to Boom Assembly

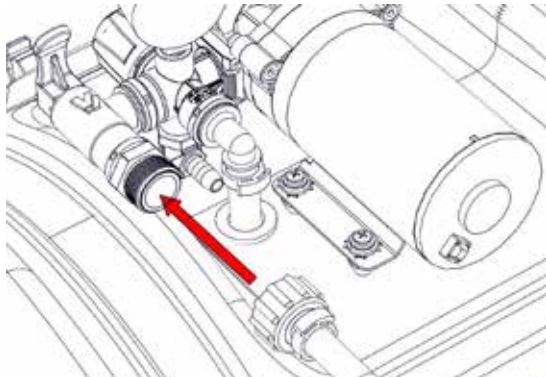


Secure Boom Assembly to Boom Upright Brackets with 1" Bolts and Flange Nuts. Tighten with Socket Wrench.

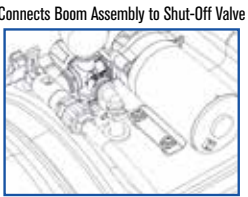
Use remaining 1" Bolts and Flange Nuts to install Boom Assembly with Boom Upright Brackets to Mount Kit.

**3. PARTS**

**TOOLS**



**NOTE:** Use a Knife to cut zip tie from Boom Assembly to free the Boom Hose.



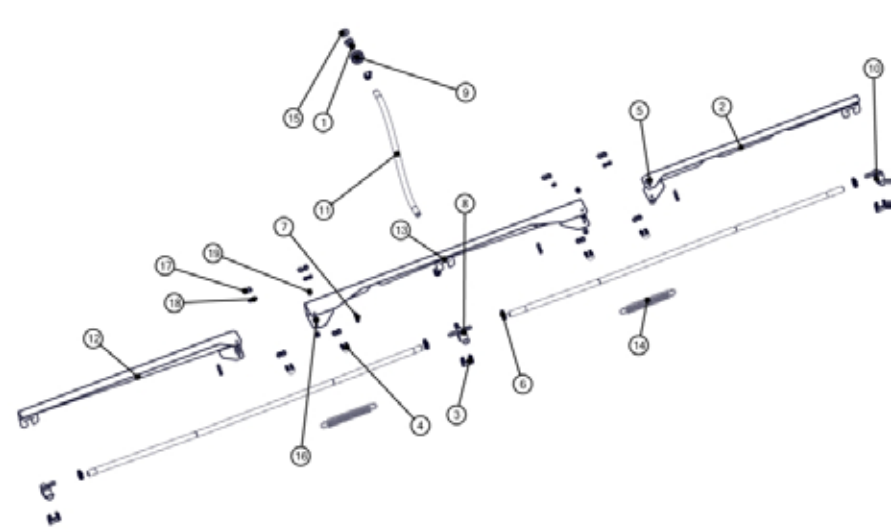
Locate Boom Hose and make sure there is a Washer in the end of Boom Cap.

Thread the Boom Hose to the Shut-Off Valve.

**T. SSBK-340 BOOM TROUBLESHOOTING**

PROBLEM	CAUSE	SOLUTION
Boom Doesn't Spray	Bad Electrical Connection	Check Battery Connections
	Boom Shut-Off Valve	Flip On Shut-Off Valve
Irregular Spray Pattern	Clogged Strainer	Unclog Strainer
	Pinched Or Clogged Hose	Unpinch or Unclog Hose
	Clogged Nozzles	Unclog Nozzles
	Damaged Spray Nozzles	Replace Nozzles
	No Nozzles In Boom	Install Nozzles Into Boom
	Incorrect Nozzle Size	Replace with Correct Nozzles
Boom Leaks	Nozzle Facing Wrong Direction	Adjust Nozzle To Correct Designation
	Loose Fasteners	Tighten Fasteners
	Loose Connection To Shut-Off Valve	Tighten Boom To Shut-Off Valve
Nozzles Drip After Use	Damaged Boom Hose	Replace Hose or Boom Kit
	No Ball Check Strainers	Install Ball Check Strainers

**B. SSBK-340 BOOM BREAKDOWN**



ID	Part Number	Description	Qty
1	3C38	3/8" Flat Seat Hose Barb	1
2	31-100371	Right Boom Section	1
3	31-400010	Nozzle Body Clip	3
4	33-100211	Wire Clamp	4
5	33-103966	Nylon Washer	4
6	350-004	5/16" Hose Clamp	6
7	CTB8-40	Cable Tie	4
8	G-8231013	Nozzle Body	1
9	3B34	3/4" Knurled Swivel Nut	1
10	31-400008	3/8" Nozzle Body	2
11	33-103153	3/8" Rubber Hose	1
12	31-100370	Left Boom Section	1
13	31-100372	Center Boom Section	1
14	33-100212	Spring	2
15	W406V	1" Washer	1
16	33-103148	1/4-20 x 1/2 Bolt	4
17	33-100061	1/4"-20 Hex Nut	16
18	33-200062	Lock Washer	8
19	33-100187	1/4"-20 Nylock Nut	4