

BEFORE ASSEMBLING YOUR 3-POINT MOUNT
FOLLOW INSTRUCTIONS IN YOUR SPOT
SPRAYER ASSEMBLY MANUAL

INCLUDED COMPONENTS

HAVING TROUBLE? CALL SUPPORT AT: 800.825.5397

TOOLS REQUIRED



1/2" SOCKET WRENCH



Tank Assembly (1)

NOTE:

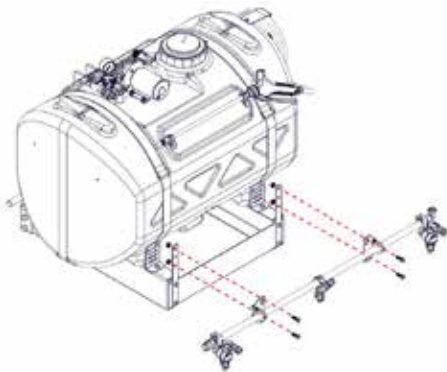
THIS 3-POINT MOUNT COMES PRE-ASSEMBLED. ONLY STEP REQUIRED IS TO INSTALL BOOM KIT. FOLLOW BOOM ASSEMBLY INSTRUCTIONS BEFORE INSTALLING TO 3-POINT MOUNT.

1a.

PARTS



TOOLS



NOTE: Reference Boom Assembly Card for needed components to install Boom Assembly to 3-Point Mount Frame. Boom Upright Brackets that may come with Boom Assembly are not needed. Use your Tractor's height control to manage your spray height.

Attaches Boom Assembly to 3-Point Mount



Line up holes of the PNB Boom Assembly with the holes of the Boom Brackets on the rear of 3-Point Mount Frame.

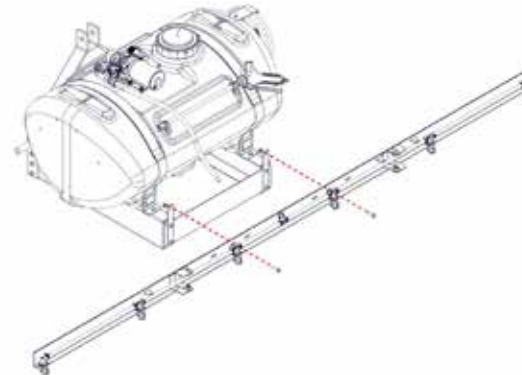
Install with 4 Bolts and Flange Nuts from Boom Assembly. Tighten with a Socket Wrench.

1b.

PARTS



TOOLS



NOTE: Reference Boom Assembly Card for needed components to install Boom Assembly to 3-Point Mount Frame. Boom Upright Brackets that may come with Boom Assembly are not needed. Use your Tractor's height control to manage your spray height.

Attaches Boom Assembly to 3-Point Mount

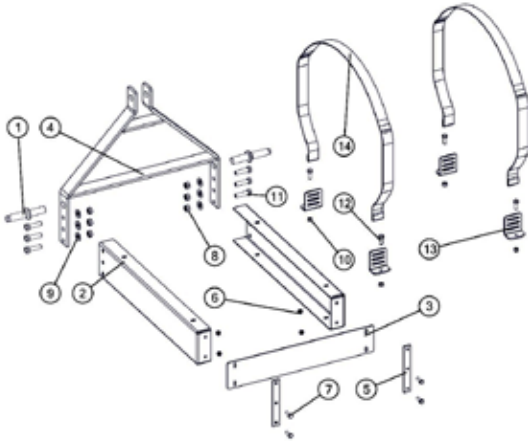


Line up holes of the 620 Boom Assembly with the holes of the Boom Brackets on the rear of 3-Point Mount Frame.

Install with 2 Bolts and Flange Nuts from Boom Assembly. Tighten with a Socket Wrench.

B.

BREAKDOWN



ID	Part Number	Description	Qty
1	152IP	Implement Pin	2
2	31-100181	3-Point Rail	2
3	31-100182	3-Point Boom Mount	1
4	32-100079	Frame, 3-Point Link	1
5	31-100187	3-Point Boom Bracket	2
6	33-100113	Serrated Flange Nut 5/16-18	4
7	33-100116	Bolt 5/16 - 18 x 1"	4
8	33-100133	Nut 1/2 - 13	6
9	33-100134	Lock Washer 1/2"	6
10	33-100136	Nylon Lock Nut 3/8"	4
11	33-100177	Bolt - 1/2-13 x 1.25"	6
12	33-200020	Hex Bolt - 3/8-16 x 1"	4
13	TD-150	1.5" Tie Down Clamp	4
14	TDS1.5-55	Tie Down Strap - 40 Gallon	2
	TDS1.5-67	Tie Down Strap - 60 Gallon	