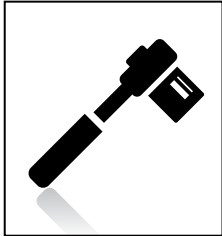
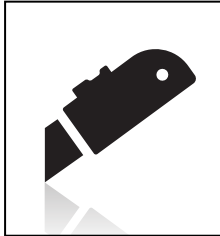


INCLUDED COMPONENTS

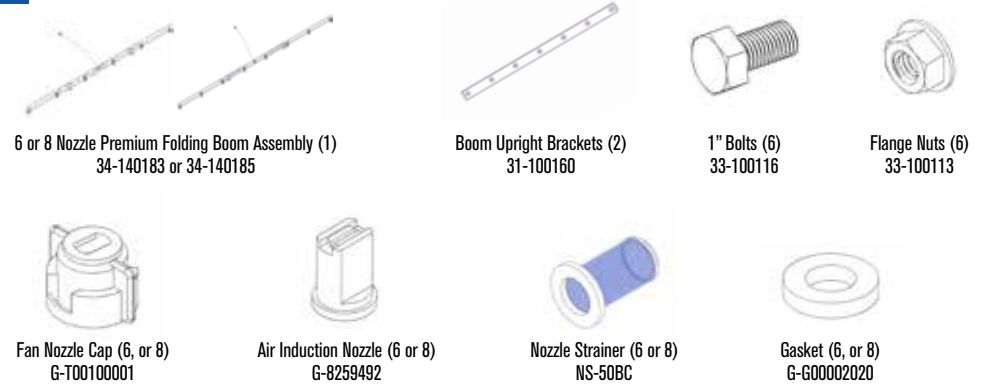
TOOLS REQUIRED



1/2" SOCKET WRENCH



KNIFE



NOTE:
IF YOU PURCHASED A COMPLETED BROADCAST SPRAYER, FOLLOW THE SPOT SPRAYER MANUAL AND MOUNT KIT ASSEMBLY INSTRUCTIONS BEFORE YOU COMPLETE BOOM ASSEMBLY STEPS.

SPRAYING SIMPLE **FREE**
MOBILE SPRAY ASSISTANT

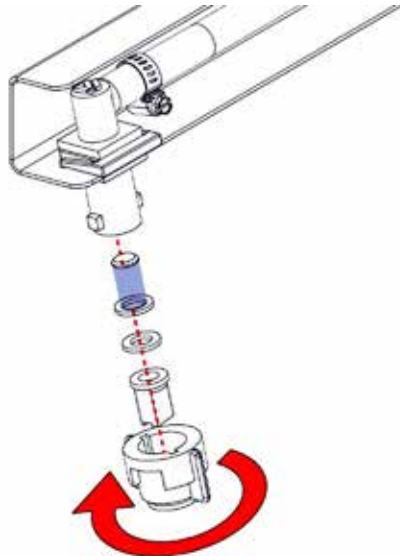


INTEGRATE YOUR SPRAY EQUIPMENT AND ACREAGE. CALCULATE YOUR NEEDED LIQUID AND APPLICATION SPEED.

1. PARTS

TOOLS

None



For each Nozzle Body, insert a Strainer, Gasket and Air Induction Nozzle as shown here.

Push Nozzle Cap onto the Nozzle Body and Twist to secure it. Repeat for all Nozzles (6 or 8).

Installs Nozzles, Strainers and Caps



2. PARTS

TOOLS



NOTE: Boom Upright Brackets may not be needed. Consult Mount Kit Assembly instructions.

Secure Boom Assembly to Boom Upright Brackets with 1" Bolts and Flange Nuts. Tighten with Socket Wrench.

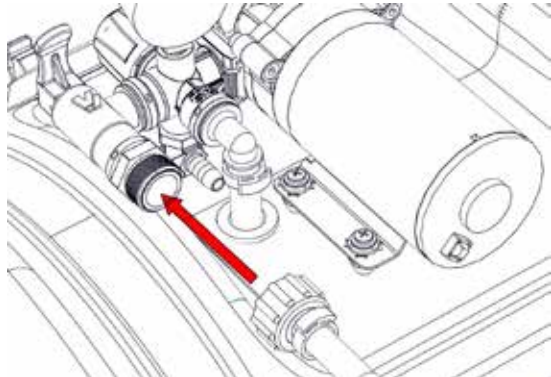
Use 1" Bolts and remaining Flange Nuts to install Boom Assembly with Boom Upright Brackets to Mount Kit.

Attaches Boom Uprights to Boom Assembly



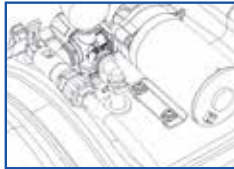
3. PARTS

TOOLS



NOTE: Use a Knife to cut zip tie from Boom Assembly to free the Boom Hose.

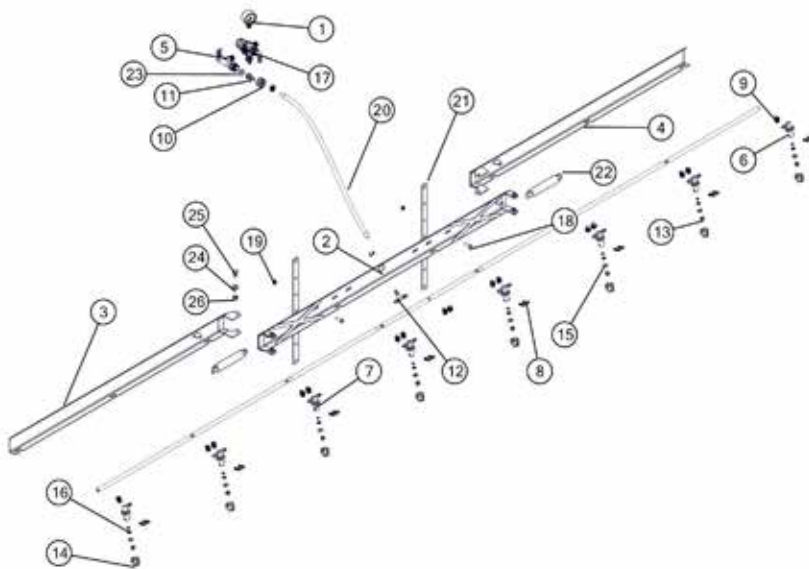
Connects Boom Assembly to Shut-Off Valve



Locate Boom Hose and make sure there is Washer in the end of Boom Cap.

Thread the Boom Hose to the Shut-Off Valve.

B. PREMIUM BOOM BREAKDOWN



ID	Part Number	Description	Qty
1	1124DAB100	Pressure Gauge	1
2	32-100095 32-100057	620/820 Boom Center Section	1
3	32-100097 32-100058	620/820 Boom Left Section	1
4	32-100096 32-100059	620/820 Boom Right Section	1
5	34-140161	Shut-Off Valve	1
6	31-400008	L Nozzle Body - 3/8" HB	2
7	31-400009	T Nozzle Body - 3/8" HB	4/6
8	31-400010	Boom Nozzle Clips	6/8
9	SHC-F	Snapper Hose Clamps - 3/8"	14/18
10	3B34	Swivel Nut - 3/4" FGHT	1
11	3C38	Flat Seat Hose Barb - 3/8"	1
12	3T38	Tee - 3/8" HB	1
13	G-8259492	Air Induction Nozzle - Yellow	6/8

ID	Part Number	Description	Qty
14	G-T00100001	Fan Nozzle Caps	6/8
15	G-G00002020	Gasket	6/8
16	NS-50BC	Nozzle Strainer - 50 Mesh	6/8
17	33-140158	Pressure Regulator Assembly	1
18	33-100116	Bolts - 1"	6
19	33-100113	Flange Nuts	6
20	33-103153	Rubber Hose - 3/8"	1
21	31-100160 ²	Boom Upright Brackets	2
22	33-103968	Spring Extensions	2
23	W406V	Washer - 1" OD x 3/4" ID	1
24	33-103966 33-103967	Washer - 4 Nozzle .281" ID x .734" OD / 6 & 8 Nozzle .34" ID x .74" OD	4
25	33-200120 33-103148	Bolts - 1/2" (420 Boom) / Hex Bolts - 3/4" (620 & 820 Boom)	4
26	33-100187 33-100120	Nylock Nut - 1/4" (420 Boom) / 5/16" (620 & 820 Boom)	4