

INCLUDED COMPONENTS



Revolt Battery Pack (1)  
33-100512



Battery Charger (1)  
33-100513



**NOTE:**  
THE REVOLT SERIES BATTERY PACK IS NOT CHARGED OUT OF THE CARTON AND REQUIRES TWO HOURS TO FULLY CHARGE.

**1. PARTS**



Connect Battery Charger to the open hole on the top of the Revolt Battery Pack.

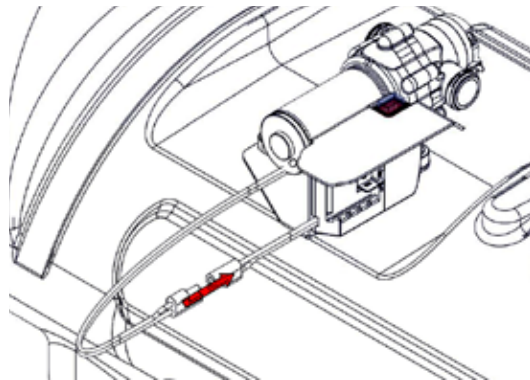
Plug the Battery Charger into an appropriate outlet.

**NOTE:** Follow sprayer assembly instructions before you complete Revolt assembly steps.

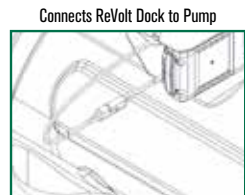


Charging ReVolt Battery Pack

**2. PARTS**



Connect the Wire Harness to your Pump by pushing the two-pin terminal connectors together.



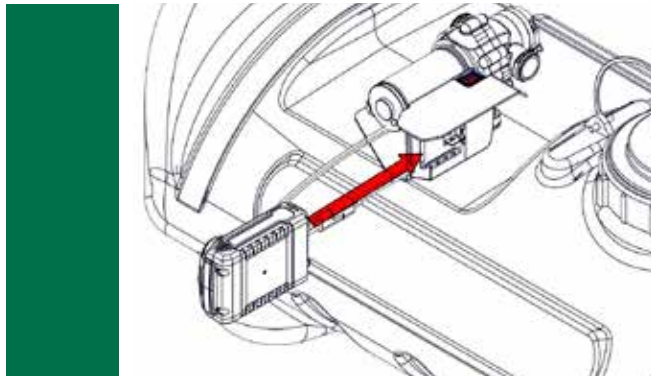
Connects ReVolt Dock to Pump

SAVE THESE INSTRUCTIONS

**WARNING**  
Read and understand all instructions. Failure to follow all instructions listed below, may result in electric shock, fire and/or serious personal injury.

- **Before Using The Battery Pack & Charger:** Read this operator's manual and all labels on the battery pack.
- **Caution:** To reduce risk of injury, ONLY CHARGE REVOLT BATTERY PACK WITH REVOLT SERIES CHARGERS. Other types of batteries may burst causing personal injury and damage. Do not wire a battery pack to a power supply plug or the DC outlet of a vehicle. Batteries will be permanently disabled or damaged.
- **Avoid Dangerous Environments:** Do not charge battery pack in rain, snow, damp or wet locations. Do not use battery pack or charger in the presence of explosive atmosphere (gaseous fumes, dust or flammable materials) because sparks may be generated when inserting or removing battery pack, possibly causing a fire.
- **Charge In A Well Ventilated Area:** Do not allow smoking or open flames near charging battery pack. Vented gases may explode.
- **Do Not Burn Or Incinerate Battery Packs:** Battery packs may explode, causing personal injury or damage. Toxic fumes and materials are created when battery pack burns.
- **Do Not Crush, Drop or Damage:** Do not use a battery pack or charger that has received a sharp blow, been dropped, run over, or damaged in any way.
- **Do Not Disassemble:** Incorrect reassembly may result in the risk of electric shock, fire or exposure to battery chemicals.
- **Battery Chemicals Cause Serious Burns:** Never allow contact with skin, eyes or mouth. If a damaged battery pack leaks battery chemicals, use rubber or neoprene gloves to dispose of it. If skin is exposed to battery fluids, wash with soap and water, and rinse with vinegar. If eyes are exposed to battery chemicals, immediately flush with water for 20 minutes and seek medical attention. Remove and dispose of contaminated clothing.
- **Do Not Short Circuit:** A short circuited battery pack may cause a fire, personal injury, and product damage. A batter pack will short circuit if a metal object makes a connection between the positive and negative contact on a battery pack. Do not place a battery pack near anything that may cause a short circuit such as coins, keys or nails in your pocket.

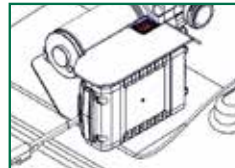
**3. PARTS**



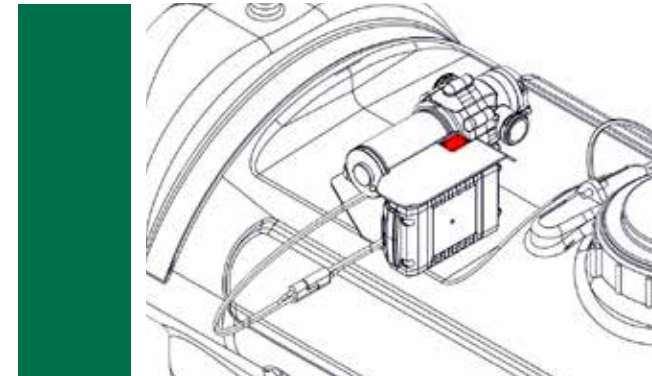
Connects Battery to Dock

Slide Battery Pack into the open dock in the Weather Guard. A click will be heard when properly attached.

NOTE: To release the Battery Pack from the Weather Shield dock, press the Release Button on the back of the Battery Pack.



**4. PARTS**



NOTE: The Power Switch will light up in the ON position. If it doesn't, the Battery Pack will need to be fully charged.

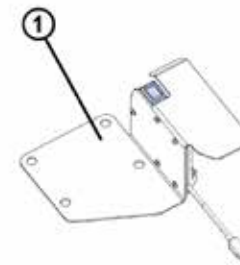
Turns On Power to Pump

When ready for spraying, flip the Power Switch on the Battery Dock.



TROUBLESHOOTING	PROBLEM	CAUSE	SOLUTION
	Pump Will Not Prime	Out of Product	Refill Supply Container
	Pump Will Not Turn On	Battery Not Connected	Check Battery Connection
		Low Voltage	Check Voltage
	Battery Pack Won't Charge	Battery Not Connected To Charger	Connect Battery Pack To Charger Until Red LED Appears
		Charger Not Plugged In	Pluge Charger Into Working Outlet
		Surrounding Air Temperature Too Hot or Cold	Move Charger & Battery Pack To Air Temperature of 40 Deg or Below 105 Deg
	Sprayer Won't Start	Bad Charger	Replace Charger
		Battery Pack Not Installed Properly	Check Battery Pack Installation
		Battery Pack Not Charged	Charge Battery Pack with Charger Until LED Light Is Green
Power Switch Not Lighting Up	Battery Pack Not Installed Properly	Check Battery Pack Installation	
	Battery Pack Not Charged	Charge Battery Pack with Charger Until LED Light Is Green	
	Battery Dock Not Working	See If Battery Pack Is Fully Charged & Connect. If Not Working, Issue Is With Dock.	
	Bad Charger	Replace Charger	

**B. BREAKDOWN**



ID	Part	Description	Qty
1	34-100000	Battery Mount - 15/25 Gallon Spot Sprayers Only	1
2	33-100512	ReVolt Battery Pack	1