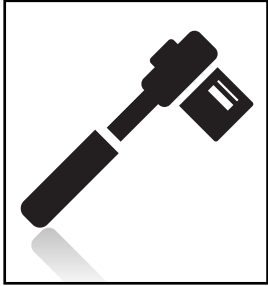


BEFORE ASSEMBLING YOUR UTV OVER-GATE MOUNT FOLLOW INSTRUCTIONS IN YOUR SPOT SPRAYER ASSEMBLY MANUAL

INCLUDED COMPONENTS

HAVING TROUBLE? CALL SUPPORT AT: 320.340.6464

TOOLS REQUIRED



1/2" SOCKET WRENCH

NOTE:
ONCE YOU HAVE FINISHED THE SPOT SPRAYER AND UTV MOUNT ASSEMBLY, MOVE ON TO THE BOOM ASSEMBLY CARD, TO COMPLETE YOUR SPRAYER.



Tank Assembly (1)



Boom Brackets (2)
31-100306



Tailgate Brackets (2)
31-100308



Tailgate (1)
32-100081



Lock Pins (2)
905PA



Thumb Screws (2)
TS-T-3/8-16-1



1" Hex Bolts (2)
33-200020



1" Carriage Bolts (4)
33-100112



Flange Nuts (6)
33-100113



Bumpers (2)
CM-125



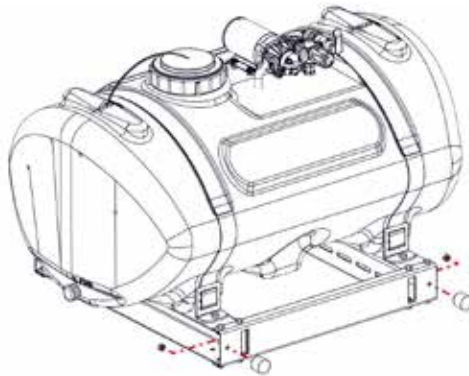
Nylon Lock Nuts (2)
30-100136

1.

PARTS



TOOLS



Attaches Bumpers to Frame



On the rear of Tank Assembly, put threaded end of Bumpers through the holes in the Frame.

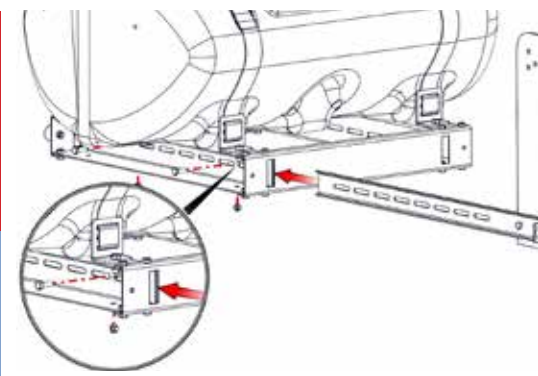
Thread Flange Nuts on other side of Bumpers. Tighten with Socket Wrench.

2.

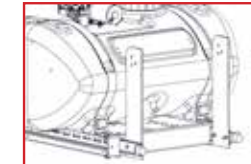
PARTS



TOOLS



Attaches Adjustable Tailgate Brackets



Slide Tailgate Brackets into the slots in the front of the Frame.

Place 1" Carriage Bolts through the slots in the Tailgate Brackets and Frame.

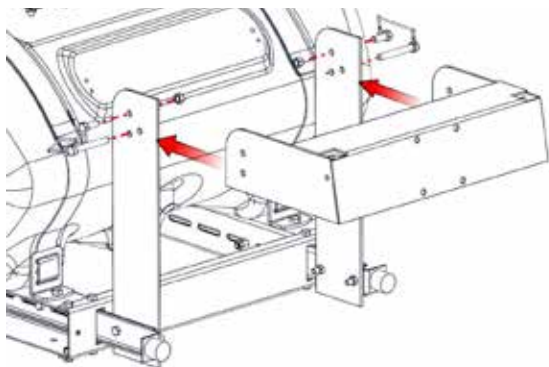
Thread Flange Nuts onto the 1" Carriage Bolts & tighten with a Socket Wrench.

3.

PARTS

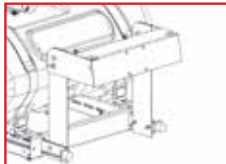


TOOLS



NOTE: Place Lock Pins through the bottom holes of Tailgate & Tailgate Brackets. These will be used to unlock and move the Boom Assembly to access your tailgate.

Attaches Tailgate to Tailgate Brackets



Place the Tailgate on top of the Tailgate Brackets as shown above.

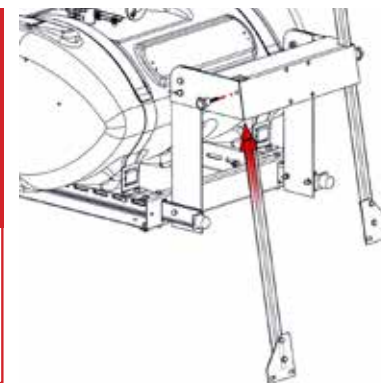
Insert 1" Hex Bolts through the top holes of the Tailgate & Tailgate Brackets. Secure with Nylon Lock Nuts and tighten with Socket Wrench.

4.

PARTS

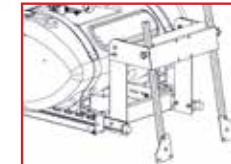


TOOLS



NOTE: Loosening and tightening of the Thumb Screws will allow you to create the perfect height for your spraying application.

Attaches Boom Brackets to Tailgate



Insert the Boom Brackets into the Tailgate as shown above.

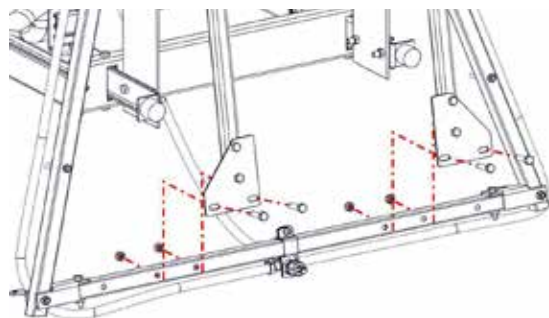
Insert Thumb Screws into the Tailgate to secure the Boom Brackets.

5.

PARTS



TOOLS



NOTE: Reference Boom Assembly Card for needed components to install Boom Assembly to UTV Mount. Boom Upright Brackets that may come with Boom Assembly are not needed.

Attaches Boom Assembly to Boom Brackets

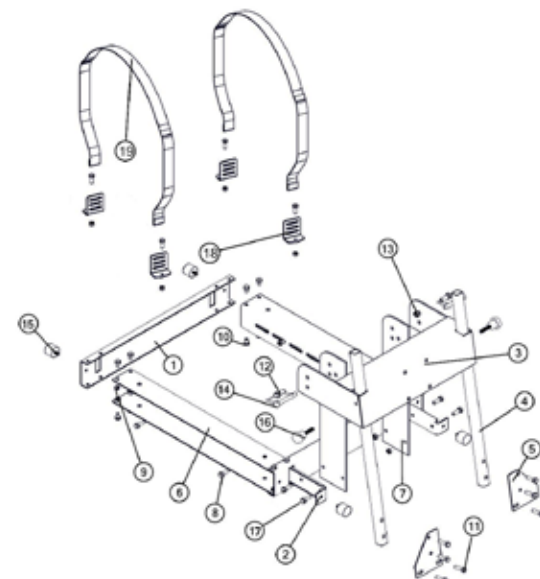


Line up holes of the Boom Assembly with the holes of the Boom Bracket Mounting Plates.

Install with Bolts and Flange Nuts from Boom Assembly. Tighten with a Socket Wrench.

B.

BREAKDOWN



ID	Part Number	Description	Qty
1	31-100301	Cross Brace	2
2	31-100302	Stabilizer	2
3	32-100081	Tailgate	1
4	31-100305	Boom Tubes	2
5	31-100306	Boom Mounting Plate	2
6	31-100307	Side Rails	2
7	31-100308	Tailgate Bracket	2
8	33-100112	Carriage Bolt	4
9	33-100113	Flange Nuts 5/16" - 18	24
10	33-100114	Bolt 5/16" - 18 x 1/2"	16
11	33-100119	Bolt 5/16" - 18 x 1.75"	4
12	33-200020	Hex Bolt 1" - 16 x 1"	6
13	33-100136	Nylon Lock Nut 3/8"	6
14	905PA	Lock Pin	2
15	CM-125	Rubber Bumpers	4
16	TS-T-3/8-16-1	Thumb Screws	2
17	33-100116	1" Bolts	4
18	TD-150	1.5" Tie Down Clamp	4
19	TDS1.5-55	Tie Down Strap - 40 Gallon	2
	TDS1.5-67	Tie Down Strap - 60 Gallon	