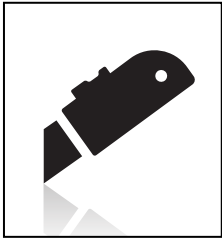


INCLUDED COMPONENTS

TOOLS REQUIRED



1/2" SOCKET WRENCH



KNIFE

NOTE:

IF YOU PURCHASED A COMPLETED BROADCAST SPRAYER, FOLLOW THE SPOT SPRAYER MANUAL AND MOUNT KIT ASSEMBLY INSTRUCTIONS BEFORE YOU COMPLETE BOOM ASSEMBLY STEPS.



12' Boom Assembly (1)
34-140084



Flat Fan Nozzles (7)
90.110.002



Flange Nuts (4)
33-100113



1.75" Bolts" (4)
33-100119

NOTE:
QUANTITY MAY VARY DEPENDING ON COMPLETED BROADCAST SPRAYER PURCHASED. SEE MOUNT KIT ASSEMBLY INSTRUCTIONS FOR INSTALLING BROADCAST BOOM

SPRAYING SIMPLE

FREE

MOBILE SPRAY ASSISTANT



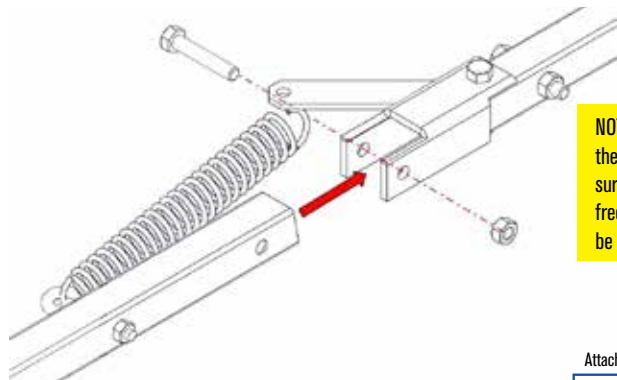
INTEGRATE YOUR SPRAY EQUIPMENT AND ACREAGE. CALCULATE YOUR NEEDED LIQUID AND APPLICATION SPEED.

1.

PARTS



TOOLS



NOTE: After re-inserting the bolts and tightening, be sure to test the hinges move freely. **CAUTION:** Springs will be under tension.

Attaches Boom Extensions to Boom



Remove Flange Nuts and Bolts from Hinges. Line up Boom Extensions Inside Hinge Wings. Re-insert Flange Nuts and Bolts. Tighten with Socket Wrench.

Extend and attach Springs from Boom Eye Bolts to the open holes on the upright portion of hinges.

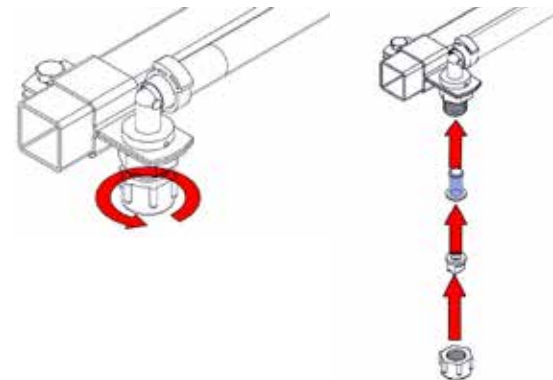
2.

PARTS



TOOLS

None



NOTE: Mesh Inlet Strainer might come out of Nozzle Body during unthreading of Nut. Make sure this is inserted back into the Nozzle Body in the same orientation it came out.

Adds Nozzles to Nozzle Bodies

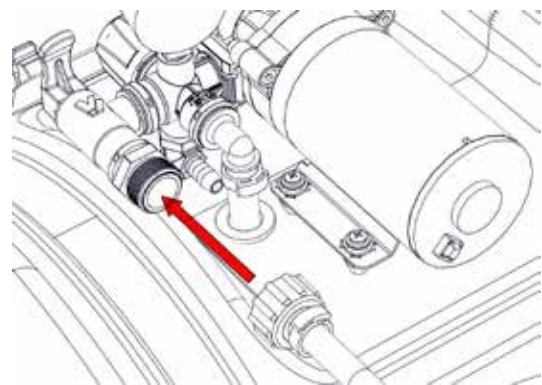


Unthread Nozzle Body Nut and drop Nozzle into Nut.

Re-thread Nozzle Body Nut onto Nozzle Body. Confirm Nozzle's orifice is facing out from Boom Assembly. Repeat for remaining Nozzle Bodies.

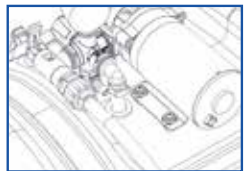
3. PARTS

TOOLS



NOTE: If present, use a Knife to cut the zip tie from Boom Assembly to free the Boom Hose.

Connects Boom Assembly to Shut-Off Valve



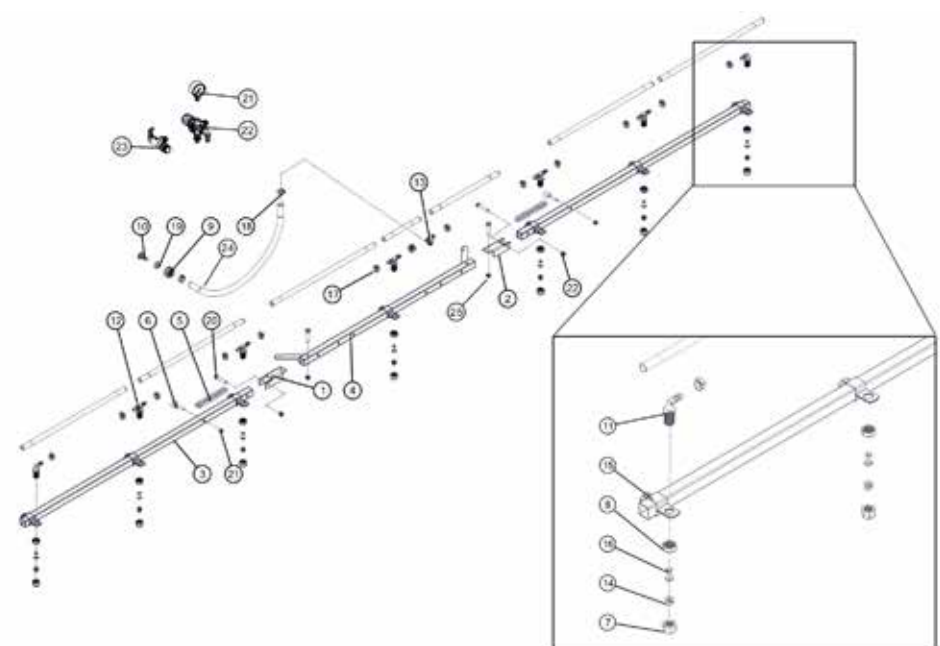
Locate Boom Hose and make sure there is Washer in the end of Boom Cap.

Thread the Boom Hose to the Shut-Off Valve.

T. SSBK-720 BOOM TROUBLESHOOTING

PROBLEM	CAUSE	SOLUTION
Boom Doesn't Spray	Bad Electrical Connection	Check Battery Connections
	Boom Shut-Off Valve	Flip On Shut-Off Valve
Irregular Spray Pattern	Clogged Strainer	Unclog Strainer
	Pinched Or Clogged Hose	Unpinch or Unclog Hose
	Clogged Nozzles	Unclog Nozzles
	Damaged Spray Nozzles	Replace Nozzles
	No Nozzles In Boom	Install Nozzles Into Boom
	Incorrect Nozzle Size	Replace with Correct Nozzles
Boom Leaks	Nozzle Facing Wrong Direction	Adjust Nozzle To Correct Designation
	Loose Fasteners	Tighten Fasteners
	Loose Connection To Shut-Off Valve	Tighten Boom To Shut-Off Valve
Nozzles Drip After Use	Damaged Boom Hose	Replace Hose or Boom Kit
	No Ball Check Strainers	Install Ball Check Strainers

B. SSBK-720 BOOM BREAKDOWN



ID	Part Number	Description	Qty
1	31-100137-L	Left Breakaway Boom	1
2	31-100137-R	Right Breakaway Boom	1
3	31-100265	Left & Right Boom Section	2
4	32-100021	Center Boom Section	1
5	33-100117	Spring Extensions	2
6	33-100118	Eye Bolts - 1/4" x 1 1/2" x 2 1/2"	2
7	38027	Nozzle Nut - 11/16" FPS	7
8	3B12	Nozzle Nut - 11/16"	7
9	3B34	Swivel Nut - 3/4" FGHT	1
10	3C38	Flat Seat Hose Barb - 3/8"	1
11	3NTL38-C	Elbow - 11/16" MPS x 3/8" HB	2
12	3NTT38-C	Tee - 11/16" MPS x 3/8" HB	5
13	3T1238	Tee - 1/2" HB x 3/8" HB	1
14	90.110.002	Flat Fan Nozzle - Yellow	7

ID	Part Number	Description	Qty
15	BCS-100	Square Boom Clamps - 1"	7
16	NS-50	Nozzle Strainer - 50 Mesh	7
17	SHC-F	Snapper Hose Clamps - 3/8"	14
18	SHC-H	Snapper Hose Clamps - .702"-0.899"	2
19	W406V	Washer - 1" OD x 3/4" ID	1
20	33-100119*	Bolts - 1.75"	*
21	33-103149	Nut - 1/4"	2
22	33-100120	Lock Nut - 5/16"	4
21	1124DAB100	Pressure Gauge	1
22	33-140158	Pressure Regulator Assembly	1
23	34-140161	Shut-Off Valve	1
24	33-103153	Rubber Hose - 3/8"	1
25	33-100113*	Flange Nuts	*

* QTY DEPENDS ON WHICH MOUNTING KIT PURCHASED