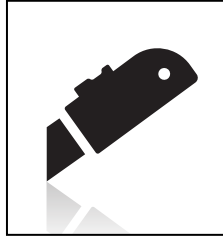


INCLUDED COMPONENTS

TOOLS REQUIRED



1/2" SOCKET WRENCH



KNIFE



10' Boom Assembly (1)
34-140059-P

Boom Upright Brackets (2)
31-100160

Deflector Nozzles (3)
DF2.5

1" Bolts (4)
33-100116

Flange Nuts (6)
33-100113

1.75" Bolts" (2)
33-100119

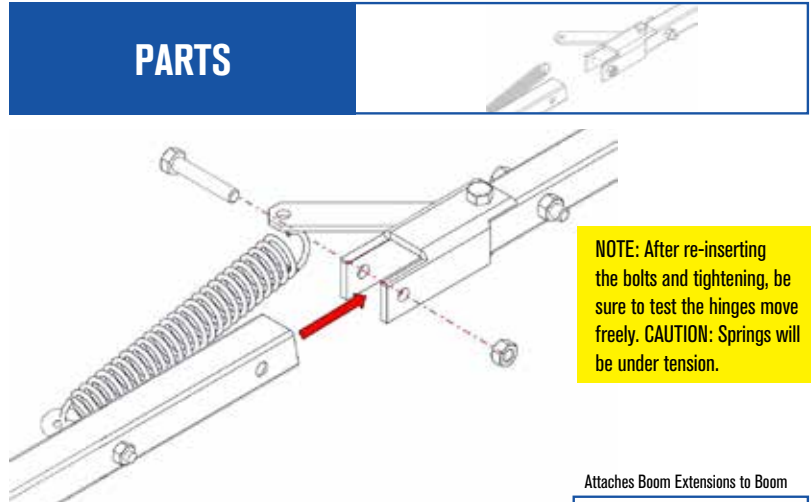
NOTE:
IF YOU PURCHASED A COMPLETED BROADCAST SPRAYER, FOLLOW THE SPOT SPRAYER MANUAL AND MOUNT KIT ASSEMBLY INSTRUCTIONS BEFORE YOU COMPLETE BOOM ASSEMBLY STEPS.

SPRAYING SIMPLE **FREE**
MOBILE SPRAY ASSISTANT

INTEGRATE YOUR SPRAY EQUIPMENT AND ACREAGE. CALCULATE YOUR NEEDED LIQUID AND APPLICATION SPEED.

1. PARTS

TOOLS



NOTE: After re-inserting the bolts and tightening, be sure to test the hinges move freely. **CAUTION:** Springs will be under tension.

Attaches Boom Extensions to Boom



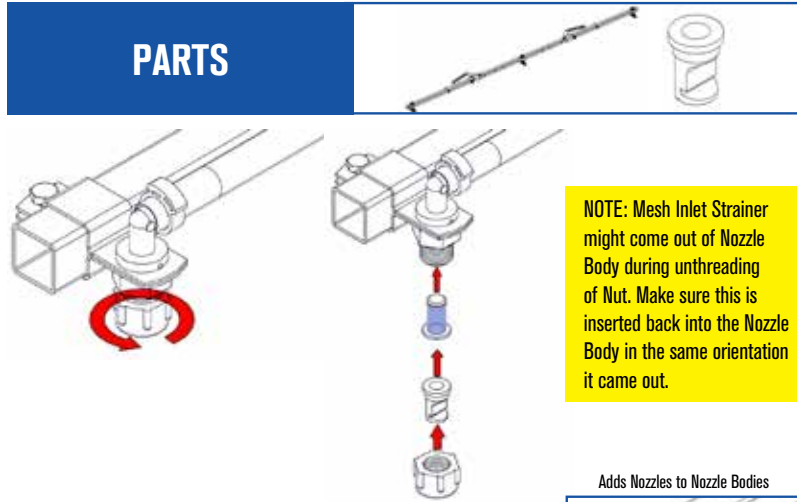
Remove Flange Nuts and Bolts from Hinges. Line up Boom Extensions Inside Hinge Wings. Re-insert Flange Nuts and Bolts. Tighten with Socket Wrench.

Extend and attach Springs from Boom Eye Bolts to the open holes on the upright portion of hinges.

2. PARTS

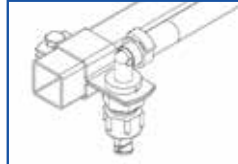
TOOLS

None



NOTE: Mesh Inlet Strainer might come out of Nozzle Body during unthreading of Nut. Make sure this is inserted back into the Nozzle Body in the same orientation it came out.

Adds Nozzles to Nozzle Bodies



Unthread Nozzle Body Nut and drop Nozzle into Nut.

Re-thread Nozzle Body Nut onto Nozzle Body. Confirm Nozzle's orifice is facing out from Boom Assembly. Repeat for remaining Nozzle Bodies.

3. PARTS



TOOLS




NOTE: Boom Upright Brackets may not be needed. Consult Mount Kit Assembly instructions.

Attaches Boom Uprights to Boom Assembly



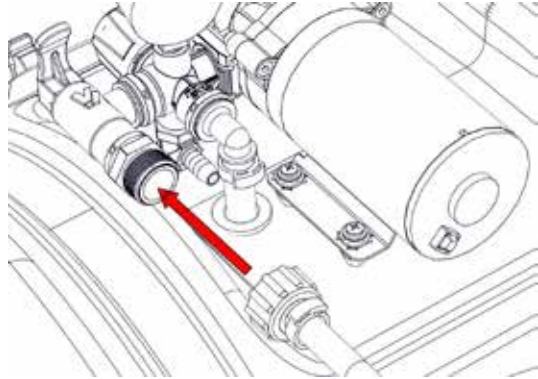
Secure Boom Assembly to Boom Upright Brackets with 1.75" Bolts and Flange Nuts. Tighten with Socket Wrench.

Use 1" Bolts and remaining Flange Nuts to install Boom Assembly with Boom Upright Brackets to Mount Kit.

4. PARTS



TOOLS

NOTE: If present, use a Knife to cut the zip tie from Boom Assembly to free the Boom Hose.

Connects Boom Assembly to Shut-Off Valve



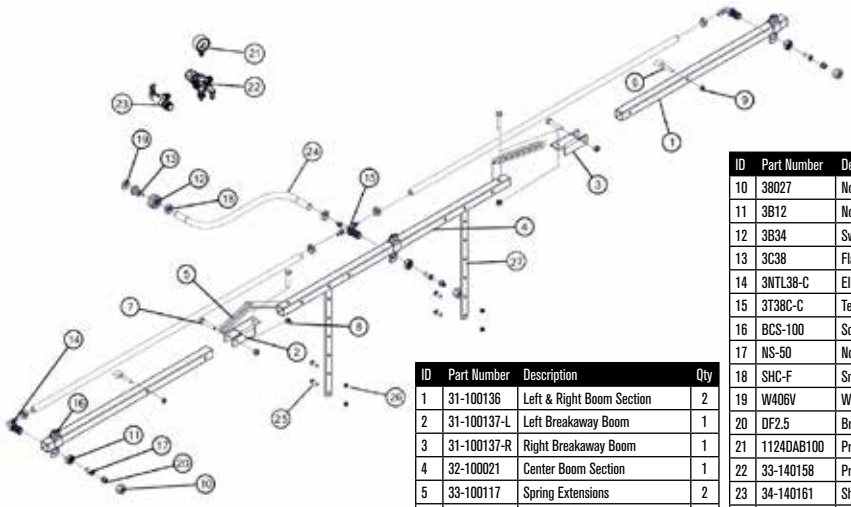
Locate Boom Hose and make sure there is Washer in the end of Boom Cap.

Thread the Boom Hose to the Shut-Off Valve.

T. SSBK-10FB BOOM TROUBLESHOOTING

PROBLEM	CAUSE	SOLUTION
Boom Doesn't Spray	Bad Electrical Connection	Check Battery Connections
	Boom Shut-Off Valve	Flip On Shut-Off Valve
Irregular Spray Pattern	Clogged Strainer	Unclog Strainer
	Pinched Or Clogged Hose	Unpinch or Unclog Hose
	Clogged Nozzles	Unclog Nozzles
	Damaged Spray Nozzles	Replace Nozzles
	No Nozzles in Boom	Install Nozzles into Boom
	Incorrect Nozzle Size	Replace with Correct Nozzles
Boom Leaks	Nozzle Facing Wrong Direction	Adjust Nozzle To Correct Designation
	Loose Fasteners	Tighten Fasteners
	Loose Connection To Shut-Off Valve	Tighten Boom To Shut-Off Valve
Nozzles Drip After Use	Damaged Boom Hose	Replace Hose or Boom Kit
	No Ball Check Strainers	Install Ball Check Strainers

B. SSBK-10FB BOOM BREAKDOWN



ID	Part Number	Description	Qty
1	31-100136	Left & Right Boom Section	2
2	31-100137-L	Left Breakaway Boom	1
3	31-100137-R	Right Breakaway Boom	1
4	32-100021	Center Boom Section	1
5	33-100117	Spring Extensions	2
6	33-100118	Eye Bolts - 1/4" x 1 1/2" x 2 1/2"	2
7	33-100119	Bolts - 1.75"	6
8	33-100120	Lock Nut - 5/16"	4
9	33-103149	Nut - 1/4"	2

ID	Part Number	Description	Qty
10	38027	Nozzle Nut - 11/16" FPS	3
11	3812	Nozzle Nut - 3/4" FIGHT	3
12	3B34	Swivel Nut - 3/4" FIGHT	1
13	3C38	Flat Seat Hose Barb - 3/8"	1
14	3N1L38-C	Elbow - 11/16" MPS x 3/8" HB	2
15	3T38C-C	Tee - 3/8" HB	1
16	BCS-100	Square Boom Clamps - 1"	3
17	NS-50	Nozzle Strainer - 50 Mesh	3
18	SHC-F	Snapper Hose Clamps - 3/8"	6
19	W406V	Washer - 1" OD x 3/4" ID	1
20	DF2.5	Brown Deflector Nozzles	3
21	1124DAB100	Pressure Gauge	1
22	33-140158	Pressure Regulator Assembly	1
23	34-140161	Shut-Off Valve	1
24	33-103153	Rubber Hose - 3/8"	1
25	33-100116	Bolts - 1"	4
26	33-100113	Flange Nuts	6
27	31-100160	Boom Upright Brackets	2