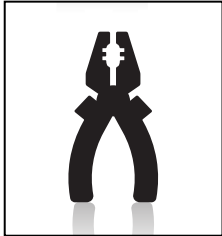


INCLUDED COMPONENTS

TOOLS REQUIRED



PLIERS

NOTE:
IF YOU PURCHASED A COMPLETED BROADCAST SPRAYER, FOLLOW STEPS 1-5 IN THE SPOT SPRAYER MANUAL BEFORE YOU COMPLETE BOOM ASSEMBLY STEPS.



Sprayer Tank (1)



Stick Boom Assembly (1)
34-140099



Spray Gun Assembly (1)



Ratchet Straps (2)
33-100164

SPRAYING SIMPLE

MOBILE SPRAY ASSISTANT

FREE



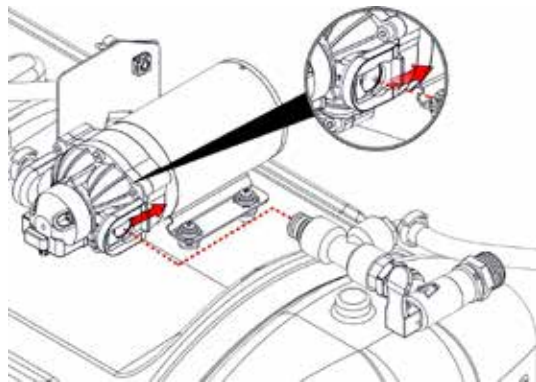
INTEGRATE YOUR SPRAY EQUIPMENT AND ACREAGE. CALCULATE YOUR NEEDED LIQUID AND APPLICATION SPEED.

1.

PARTS



TOOLS



NOTE: Before inserting Shut-Off Valve into port, check for a red plug in Diaphragm Pump Port. If there is a plug, remove with Pliers.

Installs Shut-Off Valve Assembly



Slide locking clip on 12v Diaphragm Pump to open the port.

Insert the Shut-Off Valve Assembly into the open port. Slide locking clip into the "locked" position.

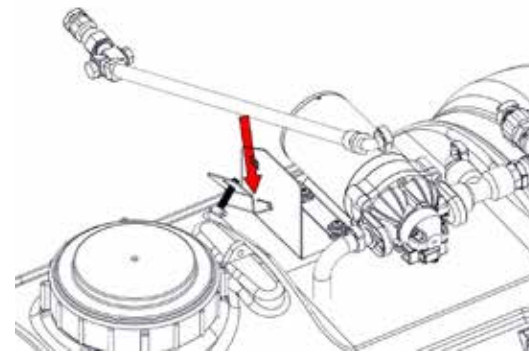
2.

PARTS



TOOLS

None



Loosen Thumbscrew to open the Boom Bracket on the Sprayer Tank. Insert the Stick Boom Assembly so the Broadcast Nozzle hangs off the back of Sprayer Tank.

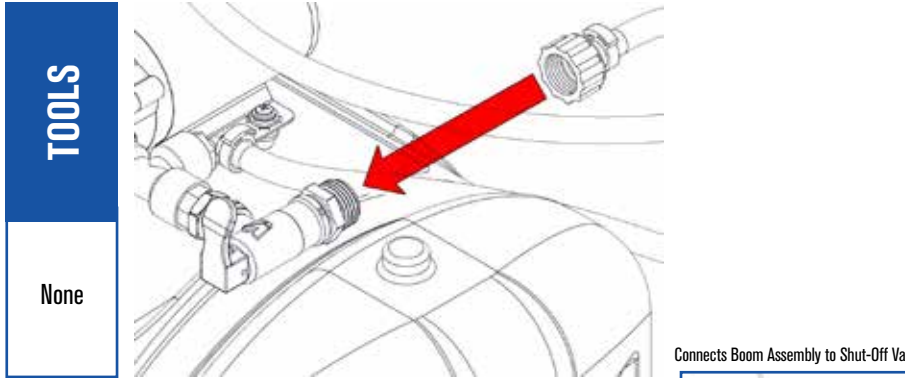
Close the Boom Bracket and tighten the Thumbscrew to secure the Boom Stick Assembly. This is also how spray height is managed.



Installs Boom Stick Assembly



3. PARTS

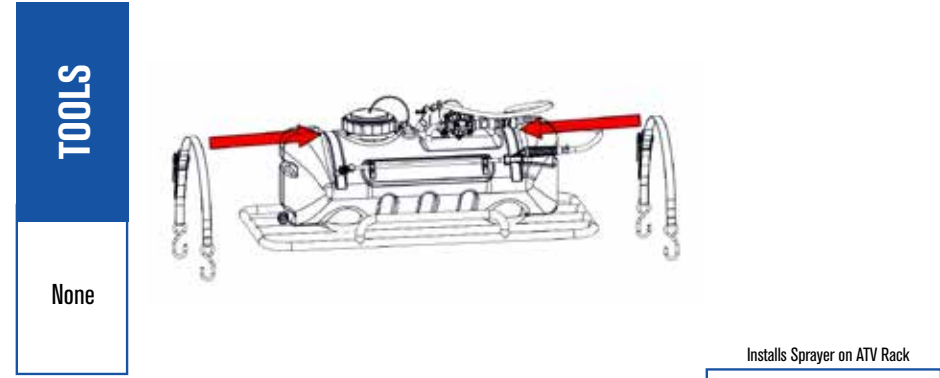


Connects Boom Assembly to Shut-Off Valve

Locate Boom Hose and make sure there is Washer in the end of Boom Cap.

Thread the Boom Hose to the Shut-Off Valve.

4. PARTS



Installs Sprayer on ATV Rack

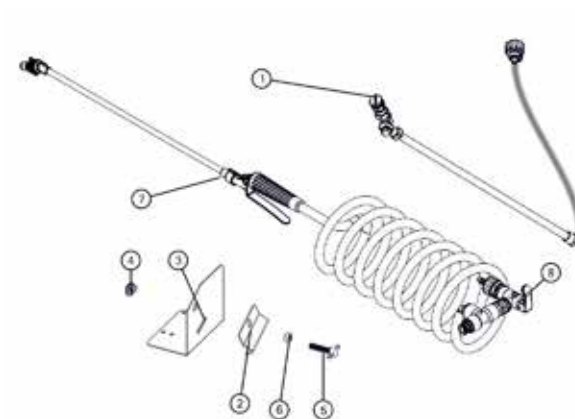
Position Sprayer Tank onto the back of an ATV, ensure that the Stick Boom hangs over the back.

Use Ratchet Straps within the vertical grooves on the Sprayer Tank to fasten Sprayer Tank securely to the ATV rack.

T. ECONOMY BOOM TROUBLESHOOTING

PROBLEM	CAUSE	SOLUTION
Boom Doesn't Spray	Bad Electrical Connection	Check Battery Connections
	Boom Shut-Off Valve	Flip On Shut-Off Valve
Irregular Spray Pattern	Clogged Strainer	Unclog Strainer
	Pinched Or Clogged Hose	Unpinch or Unclog Hose
	Clogged Nozzles	Unclog Nozzles
	Damaged Spray Nozzles	Replace Nozzles
	No Nozzles In Boom	Install Nozzles Into Boom
	Incorrect Nozzle Size	Replace with Correct Nozzles
	Nozzle Facing Wrong Direction	Adjust Nozzle To Correct Designation
Boom Leaks	Loose Fasteners	Tighten Fasteners
	Loose Connection To Shut-Off Valve	Tighten Boom To Shut-Off Valve
	Damaged Boom Hose	Replace Hose or Boom Kit
Nozzles Drip After Use	No Ball Check Strainers	Install Ball Check Strainers

B. ECONOMY SPRAYER BREAKDOWN



ID	Part Number	Description	Qty
1	34-140099	Boom Stick Assembly	1
2	31-100193	Boom Holder	1
3	31-100285	Boom Bracket	1
4	33-100187	Nylock Nut - 1/4"	1
5	TS-T-1/4-20-1.25	Thumbscrew	1
6	33-100427	Self-Retaining Nut - 1/4"	1
7	SG-4507F-REC15	Spray Gun Assembly	1
8	34-140161	Shut-Off Valve	1