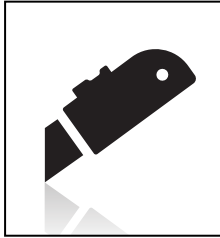


INCLUDED COMPONENTS

TOOLS REQUIRED



1/2" SOCKET WRENCH



KNIFE

NOTE:
IF YOU PURCHASED A COMPLETED BROADCAST SPRAYER, FOLLOW THE SPOT SPRAYER MANUAL AND MOUNT KIT ASSEMBLY INSTRUCTIONS BEFORE YOU COMPLETE BOOM ASSEMBLY STEPS.



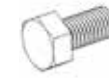
Single Boomless Assembly
34-140065 with Nozzle
BN2BP125FWX
or
BN2BP152FWX



Dual Boomless Assembly
34-140066 with Nozzles
BN2BP088RSX & BN2BP088LSX



Boom Upright Brackets (2)
31-100160



1" Bolts (6)
33-100116



Flange Nuts (6)
33-100113

SPRAYING SIMPLE
MOBILE SPRAY ASSISTANT

FREE



INTEGRATE YOUR SPRAY EQUIPMENT AND ACREAGE. CALCULATE YOUR NEEDED LIQUID AND APPLICATION SPEED.

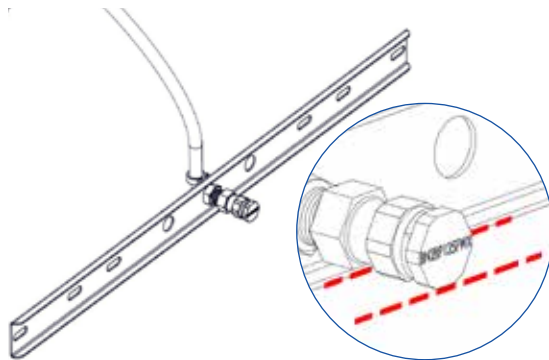
1.

PARTS



TOOLS

None



NOTE: The bottom of the Nozzle will be parallel to the Boom Assembly as shown.

Adds Nozzles to Nozzle Bodies



For the Single Boomless Assembly, thread Boomless Nozzle onto open Nozzle Body port.

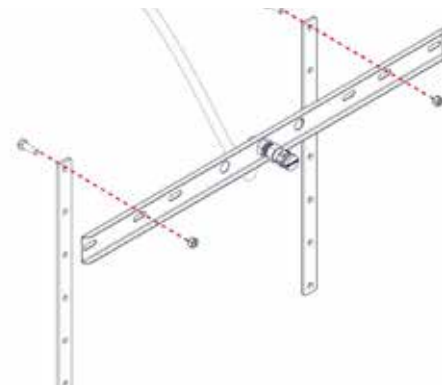
For the Dual Boomless Assembly, thread Boomless Nozzles onto open Nozzle Body ports.

2.

PARTS



TOOLS



NOTE: Boom Upright Brackets may not be needed. Consult Mount Kit Assembly instructions.

Attaches Boom Uprights to Boomless Assembly

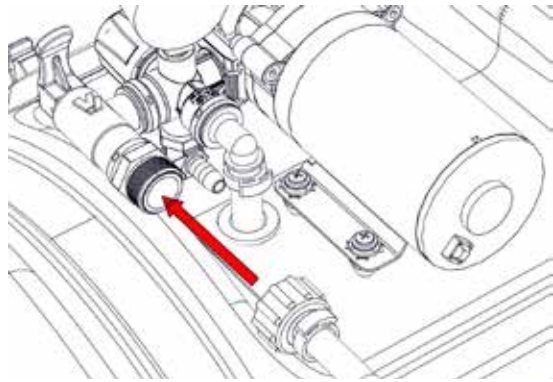


Secure Boomless Assembly to Boom Upright Brackets with 1" Bolts and Flange Nuts. Tighten with Socket Wrench.

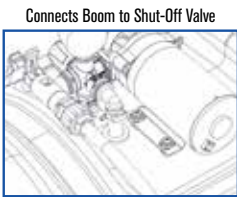
Use remaining 1" Bolts and Flange Nuts to install Boomless Assembly with Boom Upright Brackets to Mount Kit.

3. PARTS

TOOLS



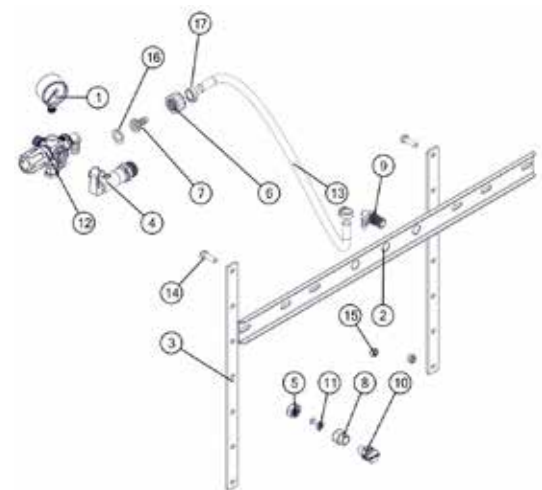
NOTE: Use a Knife to cut zip tie from Boomless Assembly to free the Boom Hose.



Locate Boom Hose and make sure there is Washer in the end of Boom Cap.

Thread the Boom Hose to the Shut-Off Valve.

B. SINGLE NOZZLE BREAKDOWN (SSBK-NB-2 & SSBK-NB-3)

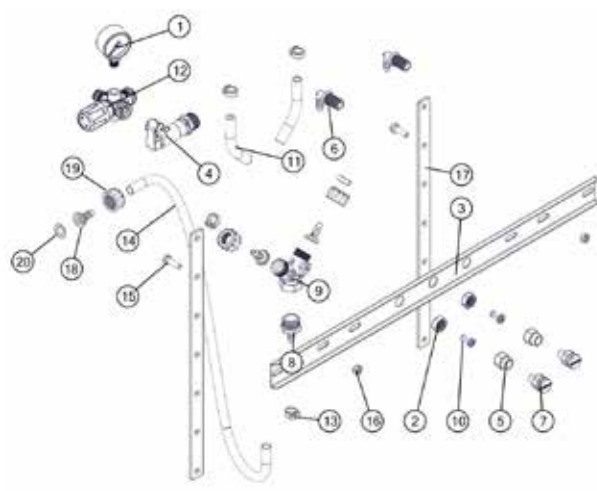


ID	Part Number	Description	Qty
1	1124DAB100	Pressure Gauge	1
2	31-100141	No Boom Mount Bracket	1
3	31-100160	Boom Upright Brackets	2
4	34-140161	Shut-Off Valve	1
5	3B12	Nozzle Nut - 11/16"	1
6	3B34	Swivel Nut - 3/4" FGHT	1
7	3C38	Flat Seat Hose Barb - 3/8"	1
8	3NF1614	Coupling - 1/4" FPS x 11/16" FPT	1
9	3N1L38-C	Straight Elbow - 11/16"MPX x 3/8" HB	1
10	BN2BP125FWX/ BN2BP152FWX	Full Boomless Nozzle - 2.2GPM/3.0GPM	1
11	NS-50	Nozzle Strainer - 50 Mesh	1
12	33-140158	Pressure Regulator Assembly	1
13	33-103153	Rubber Hose - 3/8"	1
14	33-100116	Bolts - 1"	6
15	33-100113	Flange Nuts	6
16	W406V	Gasket - 1" OD x 3/4" ID	1
17	SHC-F	Snapper Hose Clamps - 3/8"	2

T. BOOMLESS TROUBLESHOOTING

PROBLEM	CAUSE	SOLUTION
Boom Doesn't Spray	Bad Electrical Connection	Check Battery Connections
	Boom Shut-Off Valve	Flip On Shut-Off Valve
Irregular Spray Pattern	Clogged Strainer	Unclog Strainer
	Pinched Or Clogged Hose	Unpinch or Unclog Hose
	Clogged Nozzles	Unclog Nozzles
	Damaged Spray Nozzles	Replace Nozzles
	No Nozzles In Boom	Install Nozzles Into Boom
	Incorrect Nozzle Size	Replace with Correct Nozzles
	Nozzle Facing Wrong Direction	Adjust Nozzle To Correct Designation
Boom Leaks	Loose Fasteners	Tighten Fasteners
	Loose Connection To Shut-Off Valve	Tighten Boom To Shut-Off Valve
	Damaged Boom Hose	Replace Hose or Boom Kit
Nozzles Drip After Use	No Ball Check Strainers	Install Ball Check Strainers

B. DUAL NOZZLE BREAKDOWN (SSBK-DNB-2)



ID	Part Number	Description	Qty
1	1124DAB100	Pressure Gauge	1
2	3B12	Nozzle Nut - 11/16"	2
3	31-100141	No Boom Mount Bracket	1
4	34-140161	Shut-Off Valve	1
5	3NF1614	Coupling - 1/4" FPS x 11/16" FPT	2
6	3N1L38-C	Straight Elbow - 11/16"MPX x 3/8" HB	2
7	BN2BP088RSX & BN2BP088LSX	Right & Left Boomless Nozzle - 2.2GPM	2
8	3D3438	Hose Fitting - 3/4" MGH x 3/8" HB	1
9	GHV-2-BLK	Dual Garden Hose Valve - 3/4" FGHT	1
10	NS-50	Nozzle Strainer - 50 Mesh	2
11	33-103153	Rubber Hose - 3/8"	2
12	33-140158	Pressure Regulator Assembly	1
13	SHC-F	Snapper Hose Clamps - 3/8"	6
14	33-103153	Rubber Hose - 3/8"	1
15	33-100116	Bolts - 1"	6
16	33-100113	Flange Nuts	6
17	31-100160	Boom Upright Brackets	2
18	3C38	Flat Seat Hose Barb - 3/8"	3
19	3B34	Swivel Nut - 3/4" FGHT	3
20	W406V	Washer - 1" OD x 3/4" ID	3