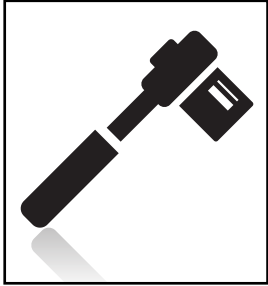


BEFORE ASSEMBLING YOUR NEW DIRECTION TRAILER FOLLOW INSTRUCTIONS IN YOUR SPOT SPRAYER ASSEMBLY MANUAL

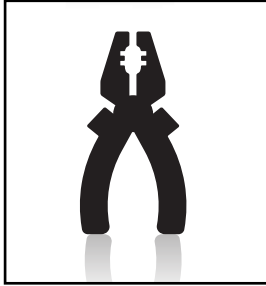
INCLUDED COMPONENTS

HAVING TROUBLE? CALL SUPPORT AT: 320.340.6464

TOOLS REQUIRED



















1/2" SOCKET WRENCH



PLIERS

NOTE:
ONCE YOU HAVE FINISHED THE SPOT SPRAYER AND TRAILER ASSEMBLY, MOVE ON TO THE BOOM ASSEMBLY CARD, TO COMPLETE YOUR SPRAYER.

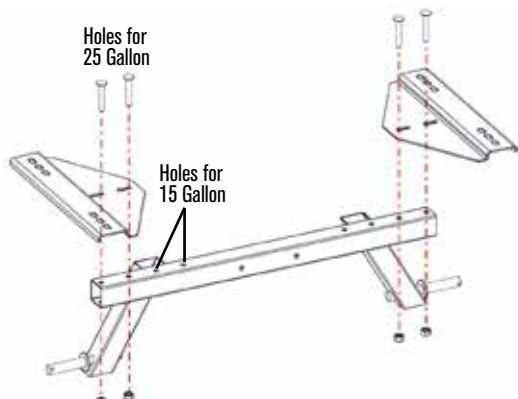
 J-Frame (1) 32-100039	 Center Frame (1) 32-100038	 Tank Brackets (2) 31-100218	 Tongue (1) 32-100076	 Lock Pin (1) 905PA
 Wheels (2) TWA410/350-4-PU	 Boom Mount (1) 31-100279	 Kickstand (1) 31-100283	 Square Caps (2) 33-103584	 Flange Nuts (8) 33-100113
 1/2" Bolts (4) 33-100114	 2.5" Bolts (2) 33-100123	 2" Carriage Bolts (6) 33-103333	 Washers (4) 33-100115	 M16 Washers (2) 33-100090
			 Cotter Pins (2) 33-100091	

1.

PARTS



TOOLS

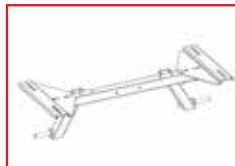


Set Tank Brackets on top of the Center Frame.

Put 2" Carriage Bolts through the Tank Brackets & Center Frame. Thread Flange Nuts to 2" Carriage Bolts. Do not tighten all the way.

NOTE: On 15 gallon tanks, line up Tank Bracket holes with the four inside holes of the Center Frame. On a 25 gallon tank, use the four outside holes.

Attaches Tank Brackets to Center Frame

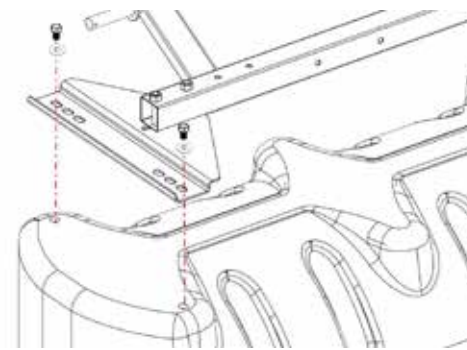


2.

PARTS



TOOLS



Gently flip the Sprayer Tank over on a flat surface and position the Tank Brackets so the slots line up with the mounting holes on the bottom of the Sprayer Tank.

With a Socket Wrench, secure the Tank Brackets to Sprayer Tank with 1/2" Bolts and Washers. Tighten the Flange Nuts from Step 1.

NOTE: Sliding the frame all the way to the front of the slots will make mounting a boom easier.

Attaches Sprayer Tank To Tank Brackets



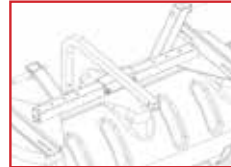
3. PARTS

TOOLS

Position the Center Frame in the open slot of the J-Frame. Make sure the holes lineup between the two parts.

Secure the J-Frame to the Center Frame with a Socket Wrench using the remaining 2" Carriage Bolts and Flange Nuts.

Attaches J-Frame to Center Frame

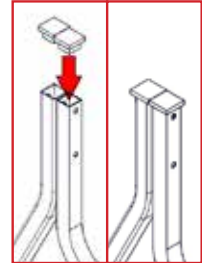


4. PARTS

TOOLS

NOTE: Boom Mount has holes for installation of Boom Assembly. Reference Boom Assembly Card for needed components to install.

Insert Square Caps in tops of J-Frame and Kickstand



Place the Boom Mount against the Kickstand and J-Frame, making sure holes line up between all three, as shown above.

Put 2.5" Bolts through the holes of all three parts and secure with Flange Nuts. Tighten with Socket Wrench. Insert Square Caps in the tops of the J-Frame & Kickstand.

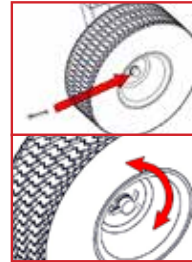
Attaches Boom Mount & Kickstand



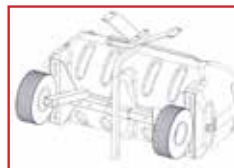
5. PARTS

TOOLS

Insert Cotter Pin, then bend the ends out with Pliers.



Adds Wheels to Trailer Frame



Slide the conical side of the Wheels on the Center Frame Axels.

Slide M16 Washers over each Axle end. Insert Cotter Pins through the holes in each Axle.

Use Pliers to bend the ends of the Cotter Pins, to ensure the Wheels can't slide off of the Axels.

6. PARTS

TOOLS

None

NOTE: There are two ways to mount the Tongue; in the storage position (using the mounting hole on the side of the tongue) or towing position as instructed.

Stand the Sprayer up on its Wheels and Kickstand to slide the Tongue over the open end of the J-Frame.

Line up Tongue and J-Frame holes. Insert Lock Pin through holes and close Lock Pin.

Attaches Tongue to Trailer Frame

