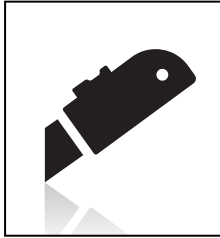


**INCLUDED COMPONENTS**

**TOOLS REQUIRED**



1/2" SOCKET WRENCH



KNIFE



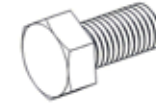
7' Boom Assembly (1)  
34-140052-P



Boom Upright Brackets (2)  
31-100160



Gray Deflector Nozzles (2)  
DF3.0



1" Bolts (6)  
33-100116



Flange Nuts (6)  
33-100113

**NOTE:**  
IF YOU PURCHASED A COMPLETED BROADCAST SPRAYER, FOLLOW THE SPOT SPRAYER MANUAL AND MOUNT KIT ASSEMBLY INSTRUCTIONS BEFORE YOU COMPLETE BOOM ASSEMBLY STEPS.

**SPRAYING SIMPLE** **FREE**  
MOBILE SPRAY ASSISTANT



INTEGRATE YOUR SPRAY EQUIPMENT AND ACREAGE. CALCULATE YOUR NEEDED LIQUID AND APPLICATION SPEED.

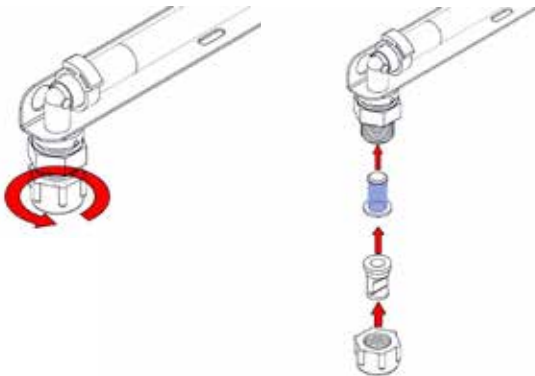
1.

PARTS



TOOLS

None



**NOTE:** Mesh Inlet Strainer might come out of Nozzle Body during unthreading of Nut. Make sure this is inserted back into the Nozzle Body in the same orientation it came out.

Adds Nozzles to Nozzle Bodies



Unthread Nozzle Body Nut and drop Nozzle into Nut.

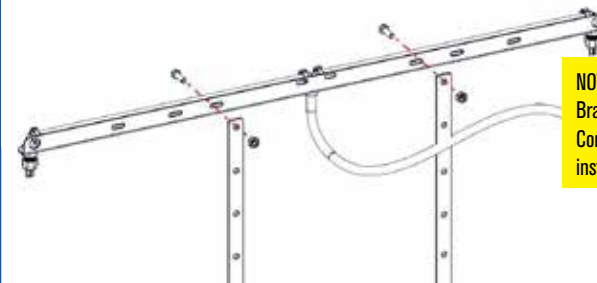
Re-thread Nozzle Body Nut onto Nozzle Body. Confirm that Nozzle's orifice is facing out from the Boom Assembly. Repeat for remaining Nozzle Bodies.

2.

PARTS

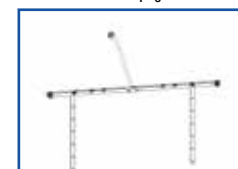


TOOLS



**NOTE:** Boom Upright Brackets may not be needed. Consult Mount Kit Assembly instructions.

Attaches Boom Uprights to Boom

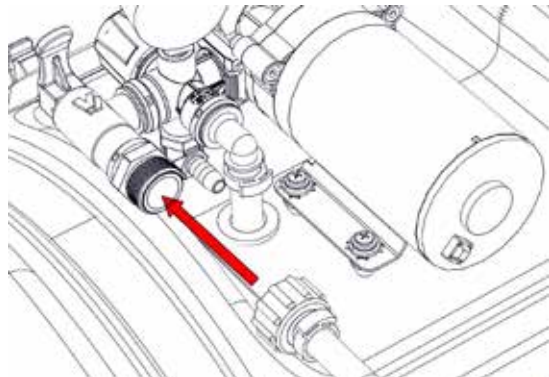


Secure Boom Assembly to Boom Upright Brackets with 1" Bolts and Flange Nuts. Tighten with Socket Wrench.

Use remaining 1" Bolts and Flange Nuts to install Boom Assembly with Boom Upright Brackets to Mount Kit.

## 3. PARTS

### TOOLS



**NOTE:** Use a Knife to cut zip tie from Boom Assembly to free the Boom Hose.

Connects Boom Assembly to Shut-Off Valve



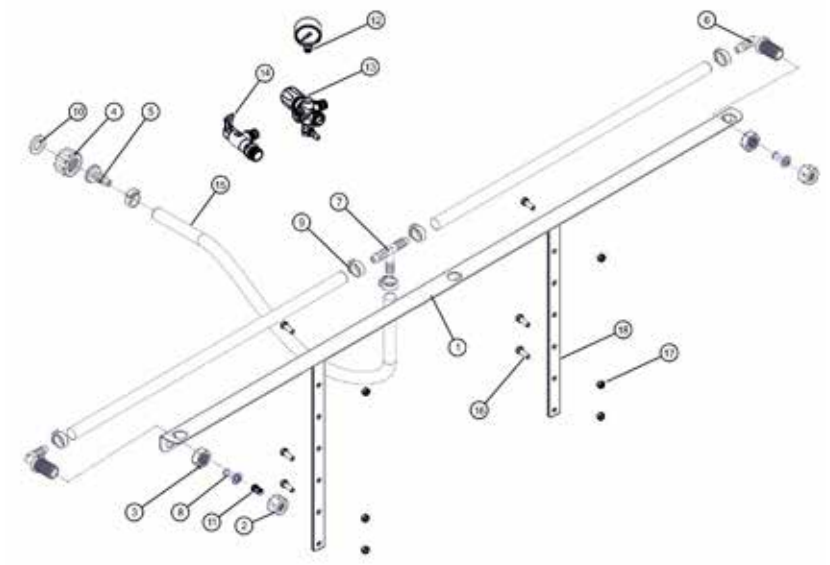
Locate Boom Hose and make sure there is a Washer in the end of Boom Cap.

Thread the Boom Hose to the Shut-Off Valve.

## T. SSBK-7 BOOM TROUBLESHOOTING

PROBLEM	CAUSE	SOLUTION
Boom Doesn't Spray	Bad Electrical Connection	Check Battery Connections
	Boom Shut-Off Valve	Flip On Shut-Off Valve
Irregular Spray Pattern	Clogged Strainer	Unclog Strainer
	Pinched Or Clogged Hose	Unpinch or Unclog Hose
	Clogged Nozzles	Unclog Nozzles
	Damaged Spray Nozzles	Replace Nozzles
	No Nozzles In Boom	Install Nozzles Into Boom
	Incorrect Nozzle Size	Replace with Correct Nozzles
Boom Leaks	Nozzle Facing Wrong Direction	Adjust Nozzle To Correct Designation
	Loose Fasteners	Tighten Fasteners
	Loose Connection To Shut-Off Valve	Tighten Boom To Shut-Off Valve
Nozzles Drip After Use	Damaged Boom Hose	Replace Hose or Boom Kit
	No Ball Check Strainers	Install Ball Check Strainers

## B. SSBK-7 BOOM BREAKDOWN



ID	Part Number	Description	Qty
1	31-100120	7' Boom Section	1
2	38027	Nozzle Nut - 11/16" FPS	2
3	3B12	Nozzle Nut - 11/16"	2
4	3B34	Swivel Nut - 3/4" FGHT	1
5	3C38	Flat Seat Hose Barb - 3/8"	1
6	3NTL38-C	Elbow - 11/16" MPS x 3/8" HB	2
7	3T38	Tee - 3/8" HB	1
8	NS-50	Nozzle Strainer - 50 Mesh	2
9	SHC-F	Snapper Hose Clamps - 3/8"	6
10	W406V	Washer - 1" OD x 3/4" ID	1
11	DF3.0	Gray Deflector Nozzles	2
12	1124DAB100	Pressure Gauge	1
13	33-140158	Pressure Regulator Assembly	1
14	34-140161	Shut-Off Valve	1
15	33-103153	Rubber Hose - 3/8"	1
16	33-100116	Bolts - 1"	6
17	33-100113	Flange Nuts	6
18	31-100160	Boom Upright Brackets	2