



180 Lake Ave North  
Paynesville, MN 56362  
Phone: 1-800-864-1649  
[www.master-mfg.com](http://www.master-mfg.com)

MASTER  
MANUFACTURING

## 60 GALLON SKID SPRAYER



**Part Number SUT-05-060J-MM**



**Part Number SUV-W5-060J-MM**

Note: Do not return product to the distributor/dealer for warranty work. Call Master Manufacturing at (800) 864-1649 for any warranty work or replacement parts.

## **INTRODUCTION**

The purpose of this manual is to assist you in the assembly, operation and maintenance of your sprayer or accessories. Please read through this manual completely too fully understand how to operate and maintain your equipment. This product has been manufactured to provide years of dependable service; proper operation and maintenance will ensure its dependability. Keep your manual in a safe, convenient place for future reference. Always mention the model and part number in any correspondence. Refer to the proper Engine and pump manuals for your model for proper maintenance and operation.

## **ASSEMBLY/ OPERATION**

Sprayer models SUT-05-060J-MM and SUV-W5-060J-MM come fully assembled from the manufacturer and only need to be unpacked and prepared for use. Before operation refer to the Engine and Pump manuals to familiarize yourself with the engine controls, lubrication and maintenance.

**Startup Inspection;** Refer to the engine manual and ensure the correct kind and quantity of oil is added to the engine. Add fuel to the engine. Verify pump is properly lubricated. Inspect the inside of the tank for any debris. Ensure the inlet filter to the pump is clean of any debris and the screen is not plugged.

**IMPORTANT: Before spraying chemicals, fill the tank half full of plain water to allow familiarization with the sprayer and to prevent waste of expensive chemicals.**

**Startup;** Fill the tank with clean water. Locate the pressure regulator and turn the knob counter clockwise to decrease the pressure. Start the engine per the manual instructions and allow it to warm up. Point the spray gun away from any person and in a safe direction to be sprayed. Press the spray gun trigger until water begins to spray from the wand. Adjust the pressure regulator to the desired pressure by viewing the pressure gauge.

**Chemical;** Add the proper amounts of chemical and water to the tank and the sprayer should be ready to spray.

## **SPRAYER MAINTENANCE**

A sprayer is a carefully designed and built machine that should provide many years of reliable service if properly cared for, the main rule in caring for any sprayer is: KEEP IT CLEAN. Neglect costs dollars in repairs, wasted spray material and premature replacement of the sprayer.

## **CLEANING & STORAGE**

Most spray materials are highly corrosive. The most important aspect of long dependable service from the sprayer is a thorough cleaning immediately following each use. In addition, the residue of one type of chemical could cause an undesirable effect when a different chemical is used for a different purpose.

The most effective cleaning method is to pump several rinses of clean water through the tank, pump, hoses, boom, spray gun, etc. A neutralizing agent such as a solution of Nutra-Sol, a detergent or household ammonia as recommended by the chemical manufacturer can assist in removal of a persistent chemical. When the system is thoroughly cleaned drain the tank, suction line, pump, hoses, etc.

The following steps should be followed for the maintenance and storage of your sprayer.

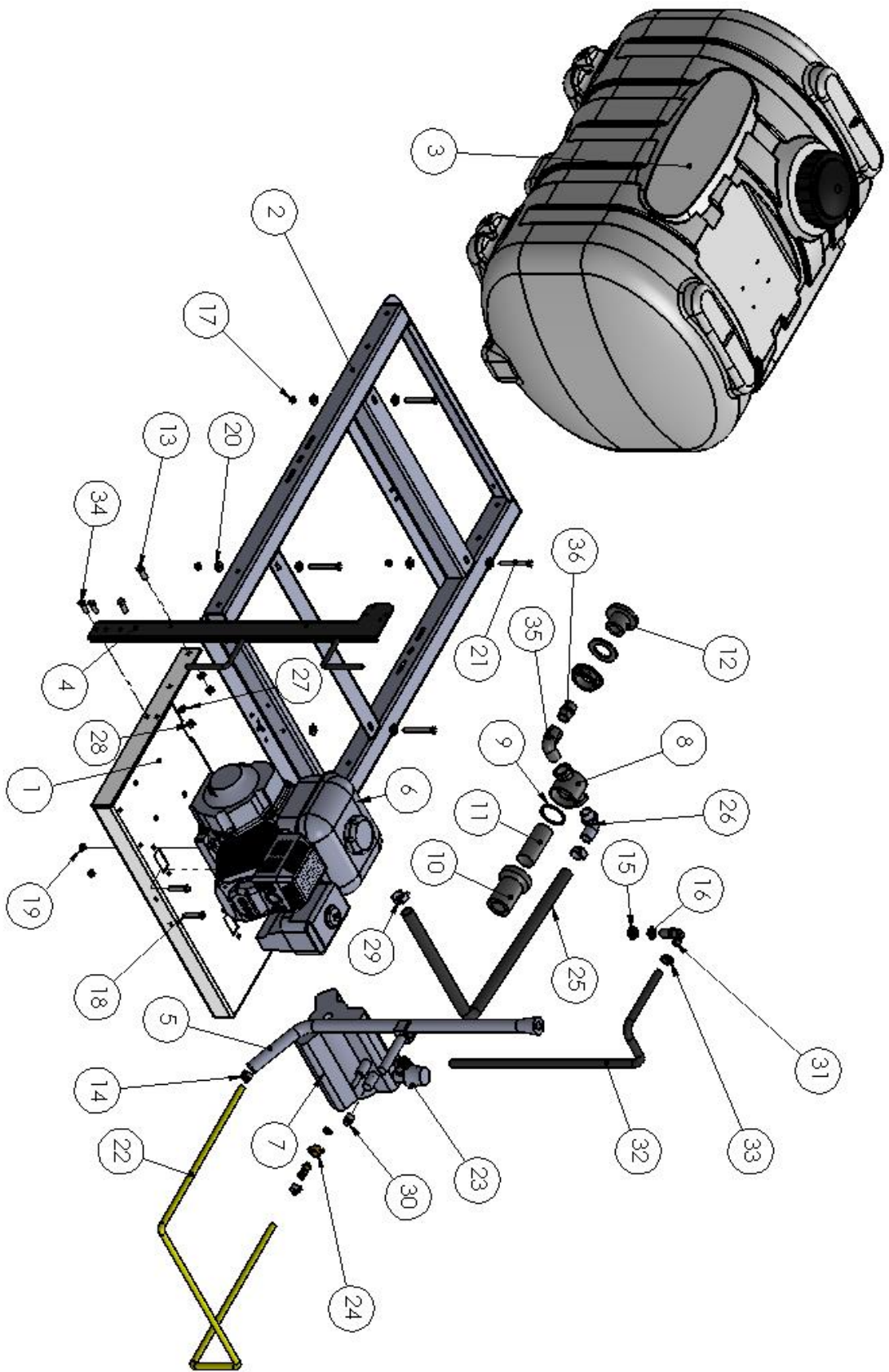
1. Wash and flush out sprayer after completion of each phase of your program. Flush out sprayer when changing chemicals if there is a possibility of the chemicals being incompatible. Use of a detergent is advisable if the chemical manufacturer does not make specific cleaning recommendations. Flush system completely, including nozzles. Never use metal objects to open clogged nozzles.
2. Clean sprayer thoroughly before storing at the end of the spraying season. Permanent type anti-freeze added to the final rinse will leave a rust inhibiting film in parts of the sprayer.

### **Spray Gun**

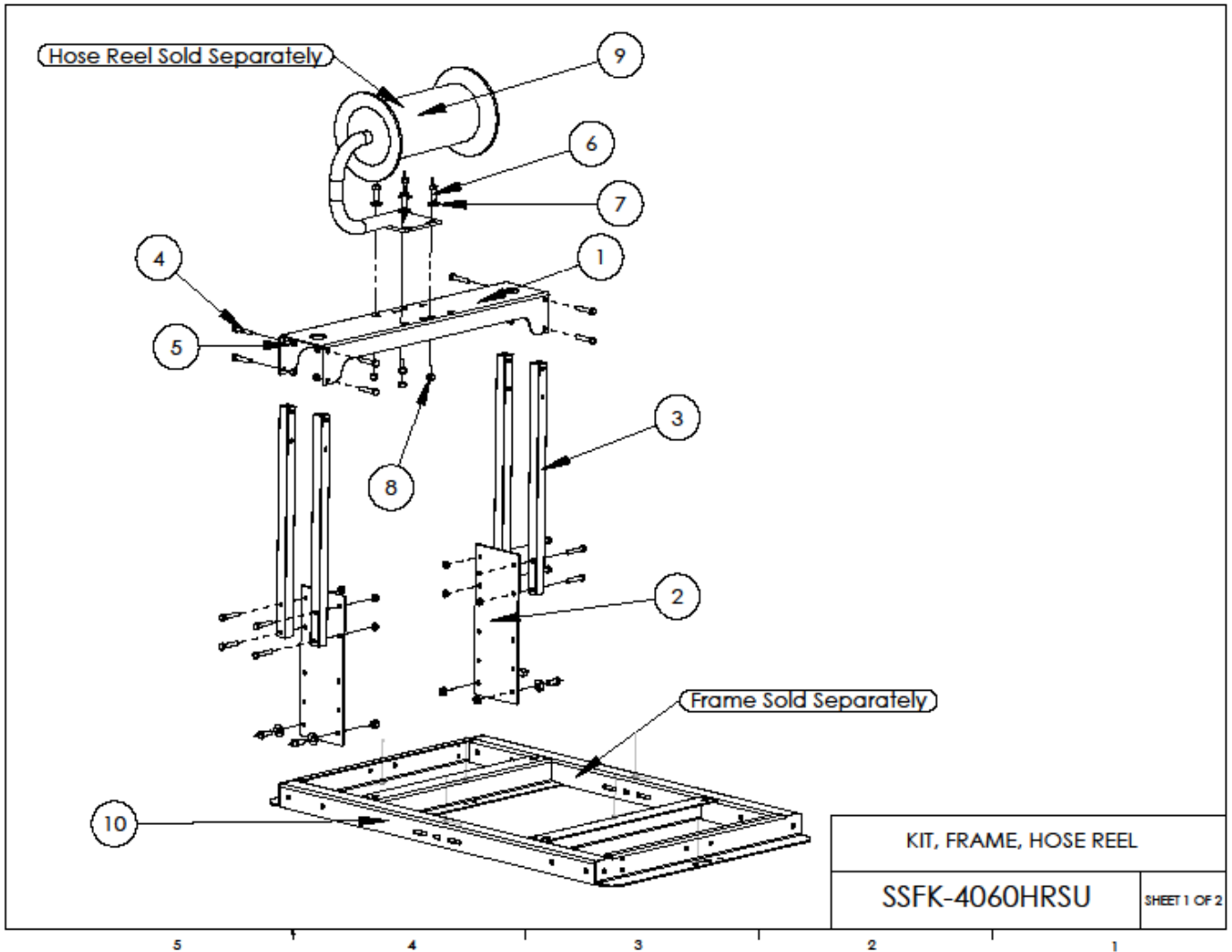
The SG-3200 Long Range Spray Gun has a trigger control in the back of the gun and a lever control handle in the front. The rear trigger control starts and stops the spray while the lever control handle in the front adjusts the spray pattern that varies from jet stream to cone by adjusting the lever.

### **WARRANTY PARTS SERVICE**

Products sold shall be warranted from defects in workmanship and material when used within the service and scope for which they were designed for a period of one year from date of purchase. Warranty covers replacement parts ONLY. Contact Master Manufacturing for warranty parts at (800) 864-1649. Do not return product to your distributor/dealer. Please have your original sales receipt or other proof of purchase date when requesting any warranty parts. To ensure the correct parts are acquired always provide the model number of your sprayer/attachment and the part number and description obtained from the illustrated parts breakdown in this manual.



<b>Item #</b>	<b>Part Number</b>	<b>Description</b>	<b>Qty.</b>
1	32-101000	Mount, Engine, J Option	1
2	32-100060	Frame, 40/60 Gal Sprayer	1
3	33-103246	Tank, 60 Gallon, Spot	1
4	32-100051	Sprayer, Control Post	1
5	SG-3200	Spray Gun, Long Range	1
6	33-103089	Engine, 5.0HP, Honda GC Series	1
7	6114.0009.00	Pump, APS 41 w/Gearbox	1
8	11317	Top, 3/4" Poly Black GF	1
9	11302	3/8", 1/2" & 3/4" Gasket-EPDM	1
10	11278	Bowl-Reg Poly Black Thik Bott	1
11	10684	Cyl. Reg ILS 50*36 SS w/Hem	1
12	BHF34	Bulk Head Fitting	1
13	33-100124	Bolt, 3/8"-16 x 1"	4
14	620-008	Hose Clamp: 1/2"Band, 1/2"Hose	2
15	3B12	Nozzle Nut: 11/16" Poly	1
16	W406V	Washer: 1"OD x 3/4" Black Vinyl	1
17	33-100120	Nut, Lock, 5/16-18	4
18	33-100119	Bolt, 5/16-18 x 1.75"	6
19	33-100113	Nut, 5/16-18, Serrated Flange	6
20	33-100115	Washer, 5/16", Zinc Plated	8
21	33-100122	Bolt, 5/16-18 x 3"	4
22	33-103321	Hose, PVC, 1/2", 600psi, Yellow	300(in)
23	1204.0564.00	Regulator, APS 41, w/Bolt Kit	1
24	604.3A	Hose Barb, 1/2", Swivel/Nut	1
25	33-103644	Hose, 1", EPDM, 150#, Black, Braided	30(in)
26	3EL34100	Elbow: 3/4"MPT x 1"HB Poly	1
27	33-100139	Lock Washer, 3/8"	4
28	33-100125	Nut, 3/8-16 N/C	4
29	620-016	Hose Clamp: 1/2"Band, 1" Hose	2
30	304-SP38	SQ. Head Plug 3/8" MPT	1
31	3NTL12-C	Elbow: NzThd-11/16MPS x 1/2HB	1
32	33-103622	Hose, 1/2"ID x 13/16"OD EPDM Braided	22(in)
33	SHC-H	Snapper Hose Clips, BLK	2
34	33-100112	Carriage Bolt, 5/16-18 x 1"	2
35	3SE34	STR. ELB: 3/4"MPT x 3/4"FPT	1
36	3M34	Nipple: 3/4"MPT x 3/4"MPT Poly	1



**Parts List**  
**Part# SSFK-4060HRSU**

<b>Item No.</b>	<b>Part Number</b>	<b>Description</b>	<b>Qty.</b>
1	31-101073	Mount, Plate, Top	1
2	31-101071	Mount, Plate, Riser	2
3	31-101070	Mount, Tube, Upright	4
4	33-100119	Bolt, 5/16"-18 x 1.75"	16
5	33-100113	Nut, 5/16"-18, Serrated Flange	16
6	33-100124	Bolt, 3/8"-16 x 1"	8
7	33-100130	Washer, Flat, 3/8"	8
8	33-100131	Nut, 3/8" Serrated Flange	8
9	HR-75	Reel, Hose, 75' (NOT PROVIDED)	1
10	32-100060	Frame, 40/60 Gallon Skid (NOT PROVIDED)	1