



MASTER
MANUFACTURING
SPRAY

UTV FRAME KIT



Note: Do not return product to the distributor/dealer for warranty work. Call Master Manufacturing at (800) 864-1649 for any warranty work or replacement parts.

INTRODUCTION

The purpose of this manual is to assist you in the assembly, operation and maintenance of your sprayer or accessories. Please read through this manual completely too fully understand how to operate and maintain your equipment. This product has been manufactured to provide years of dependable service; proper operation and maintenance will ensure its dependability. Keep your manual in a safe, convenient place for future reference. Always mention the model and part number in any correspondence.

ASSEMBLY

The UTV Frame Kit has been specifically designed to attach easily to the 40/60 gallon Master Manufacturing Skid Frame Kit to provide a mounting point for Master Manufacturing Spray booms. Please refer to the figure in this manual for reference to the following assembly instructions.

Frame Assembly

- 1.) The UTV boom mount can be mounted on the end or the side of the Master Manufacturing Skid Frame. Determine which location will work best for your application.
- 2.) Position the UTV boom mount (PN 32-100063) on the side of the frame chosen in step one and fasten with two 5/16-18 x 1" bolts (PN 33-103116) and 5/16' serrated nuts (PN 33-103116).
- 3.) Attach angle brackets (PN 31-100139) to UTV boom mount with 4 our 5/16-18 x 1" bolts (PN 33-103116) and 5/16' serrated nuts (PN 33-103116).
- 4.) Adjust angle brackets to allow clearance for boom from back of UTV.

Boom Mounting

- 1.) Following directions provided with boom manufacturer, mount boom to angle brackets.

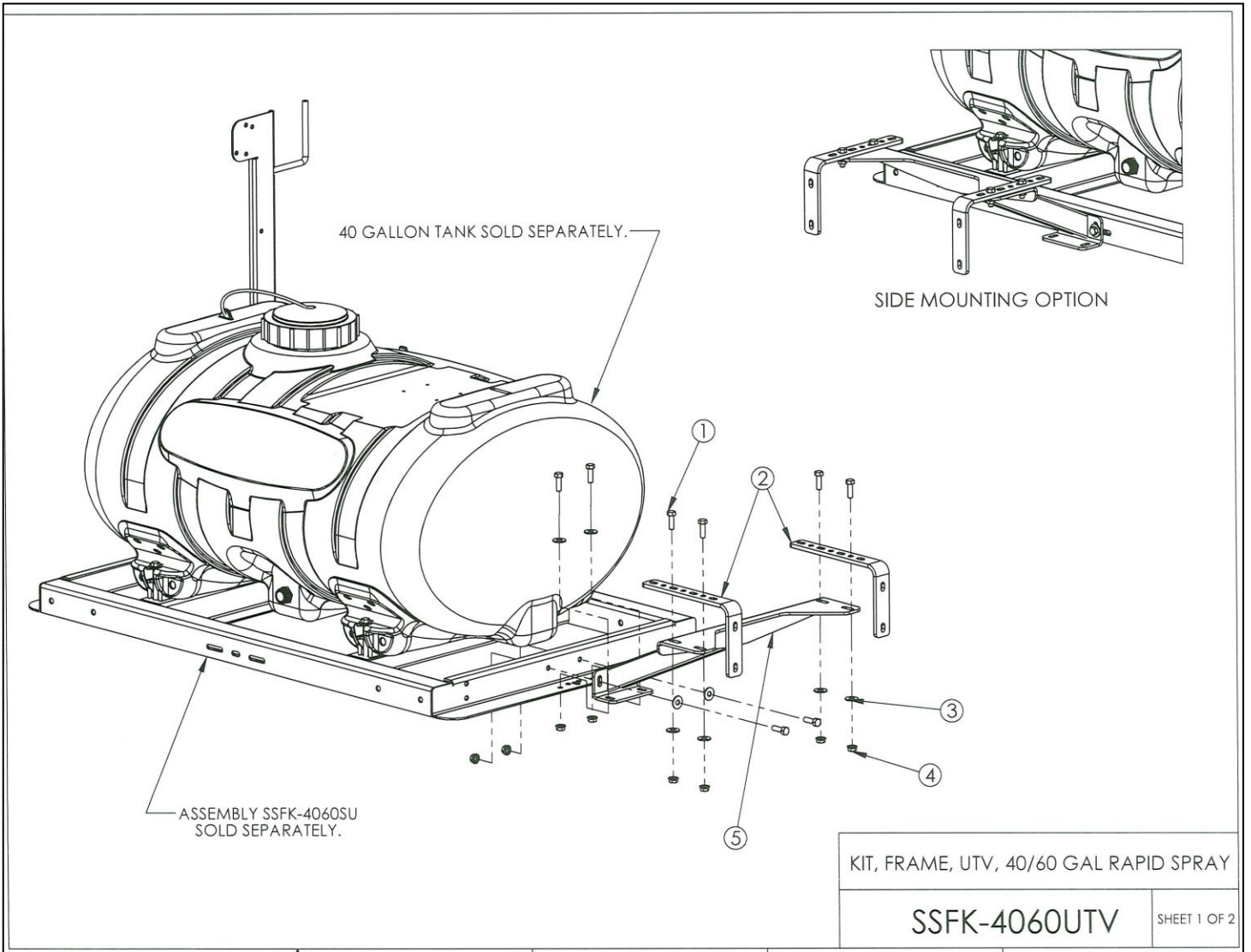
Warnings

 **Tank and skid frame must be securely fastened to UTV to ensure proper handling. Failure to fasten tank securely to UTV may lead to injury.**

 **Tank total weight filled with liquid must not exceed manufactures weight limit for UTV. Refer to UTV manufacture specifications**

WARRANTY PARTS SERVICE

Products sold shall be warranted from defects in workmanship and material when used within the service and scope for which they were designed for a period of one year from date of purchase. Warranty covers replacement parts ONLY. Contact Master Manufacturing for warranty parts at (800) 864-1649. Do not return product to your distributor/dealer. Please have your original sales receipt or other proof of purchase date when requesting any warranty parts. To ensure the correct parts are acquired always provide the model number of your sprayer/attachment and the part number and description obtained from the illustrated parts breakdown in this manual.



Parts List Figure SSFK-4060UTV-MM

Item No.	Part Number	Description	Qty.
1	32-100063	Mount, boom	1
2	31-100139	Bracket, angle	2
3	33-100116	Screw, Cap, 5/16-18 x 1"	8
4	33-100113	Nut, 5/16-18, serrated	8
5	33-100115	Washer, 5/16"	8