



MASTER
MANUFACTURING

40/60 GALLON SKID FRAME KIT



Part Number SSKF-4060SU-MM | Rev 1 DEC. 2014

INTRODUCTION

The purpose of this manual is to assist you in the assembly, operation and maintenance of your sprayer or accessories. Please read through this manual completely too fully understand how to operate and maintain your equipment. This product has been manufactured to provide years of dependable service; proper operation and maintenance will ensure its dependability. Keep your manual in a safe, convenient place for future reference. Always mention the model and part number in any correspondence.



ASSEMBLY

The Skid Frame Kit has been specifically designed to attach easily to the 40 and 60 Gallon Master Manufacturing spot sprayers. Please refer to the figure in this manual for reference to the following assembly instructions.

Frame Assembly

- 1.) Place skid frame (PN 32-100060) on flat service.
- 2.) Position the 40 or 60 gallon spot sprayer on the skid frame locating the holes of the tank feet over the holes in the frame on the two center cross bars.
- 3.) Using the four 5/16-18 x 3" cap screws (PN 33-100122), eight 5/16" washers (PN 33-100115) and the four 5/16"-18 serrated nuts (PN 33-100113) fasten the tank to the frame. Ensure bolts are tightened securely. Do not over tighten and crack sprayer tank.
- 4.) Position Control post (PN 32-100051) on either end of the skid frame and fasten with two 5/16-18 x 1" cap screws (PN 33-100116) and two 5/16"-18 nuts (PN 33-100113).

Warnings

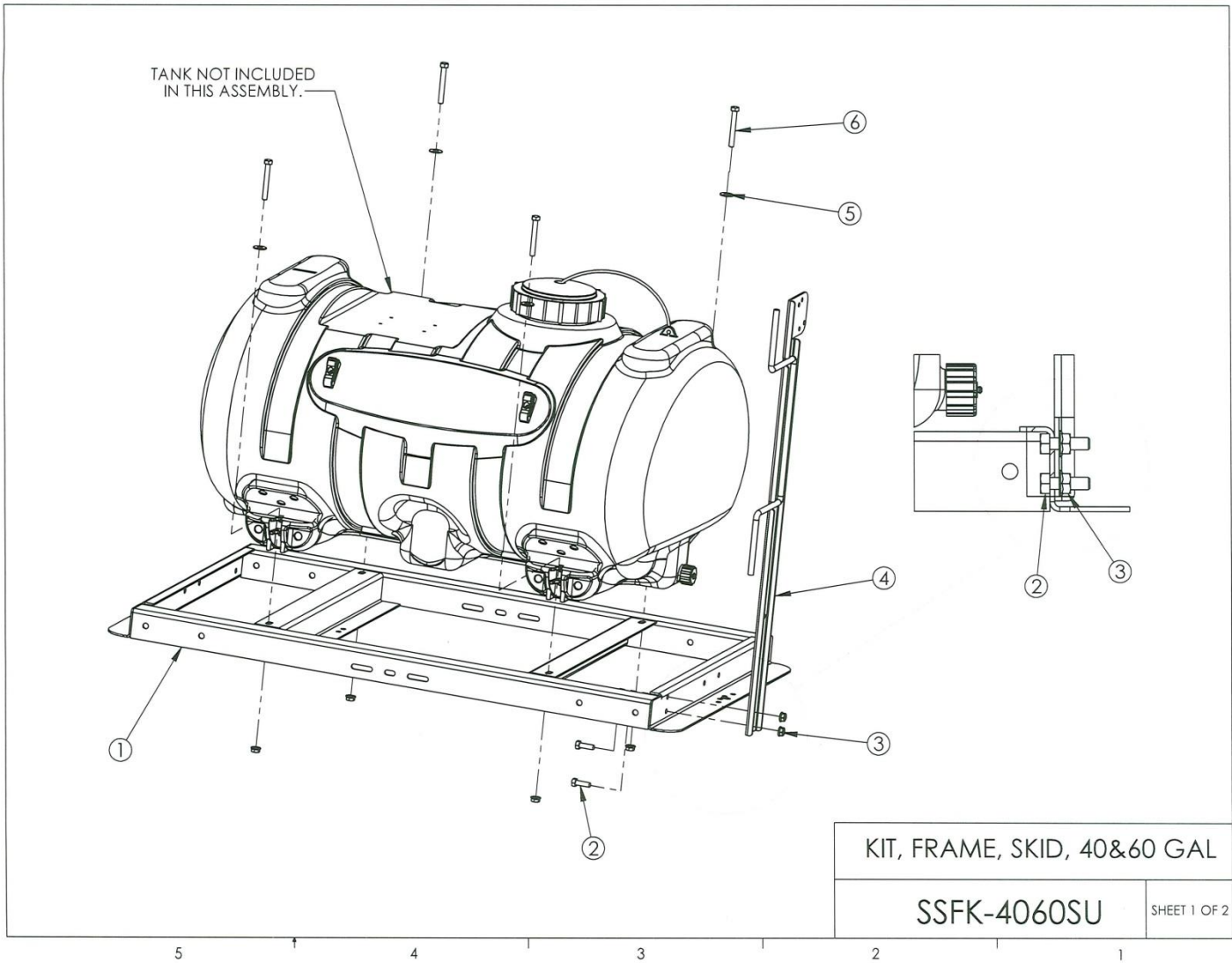
-  **Tank and skid frame must be securely fastened to vehicle to ensure proper handling. Failure to fasten tank securely to vehicle may lead to injury.**
-  **Tank total weight filled with liquid must not exceed manufactures weight limit for vehicle. Refer to vehicle manufacture specifications**

WARRANTY PARTS SERVICE

Products sold shall be warranted from defects in workmanship and material when used within the service and scope for which they were designed for a period of one year from date of purchase. Contact your distributor/ dealer for replacements parts or warranty work. Please have your original sales receipt or other proof of purchase date when requesting any warranty work.

To ensure the correct parts are acquired always provide the model number of your sprayer/attachment and the part number and description obtained from the illustrated parts breakdown in this manual.

Parts List Figure SSFK-4060SU-MM



Item No.	Part Number	Description	Qty.
1	32-100060	Frame, Skid 150/225L	1
2	32-100051	Control Post	1
3	33-100115	Washer, 5/16"	8
4	33-100113	Nut, 5/16-18, serrated	6
5	33-100122	Screw, Cap, 5/16-18 x 3"	4
7	33-100116	Screw, cap, 5/16-18 x 1"	2
8	33-103231	Tank, (Not Included)	1