



MASTER  
MANUFACTURING  
SPRAY

## HOSE REEL FRAME KIT



Part Number SSFK-4060HRSU | Rev 1 NOV 2011.

Note: Do not return product to the distributor/dealer for warranty work. Call Master Manufacturing at (800) 864-1649 for any warranty work or replacement parts.

## **INTRODUCTION**

The purpose of this manual is to assist you in the assembly, operation and maintenance of your sprayer or accessories. Please read through this manual completely to fully understand how to operate and maintain your equipment. This product has been manufactured to provide years of dependable service; proper operation and maintenance will ensure its dependability. Keep your manual in a safe, convenient place for future reference. Always mention the model and part number in any correspondence.

## **ASSEMBLY**

The Hose Reel Frame Kit has been specifically designed to attach easily to the 40/60 gallon Master Manufacturing Skid Frame Kit to provide a hose reel mounting point for Master Manufacturing hose reels. Please refer to the figure in this manual for reference to the following assembly instructions.

### **Frame Assembly**

- 1.) Obtain riser plate (PT 31-101071), (2) upright tubes (PT 31-101070), (4) 5/16" x 1.75" Bolts (PT 33-100119) & (4) 5/16" SF Nuts (PT 33-100113). Attach (2) upright tubes to riser plate with the (4) 5/16" bolts & nuts. Tighten securely. You need to determine if your sprayer is a 40 or 60 gallon tank. Use top (4) holes for a 60 gallon unit & (4) bottom holes for a 40 gallon unit. Repeat this step for the other side.
- 2.) Locate Top Plate (PT 31-101073) and attach the 2 assemblies from Step 1. Make sure the (2) plates are on the inside of the frame. Attach with (8) 5/16" x 1/75" Bolts (PT 33-100119) & (8) 5/16" SF Nuts (33-100113).

### **Mounting to Skid Frame**

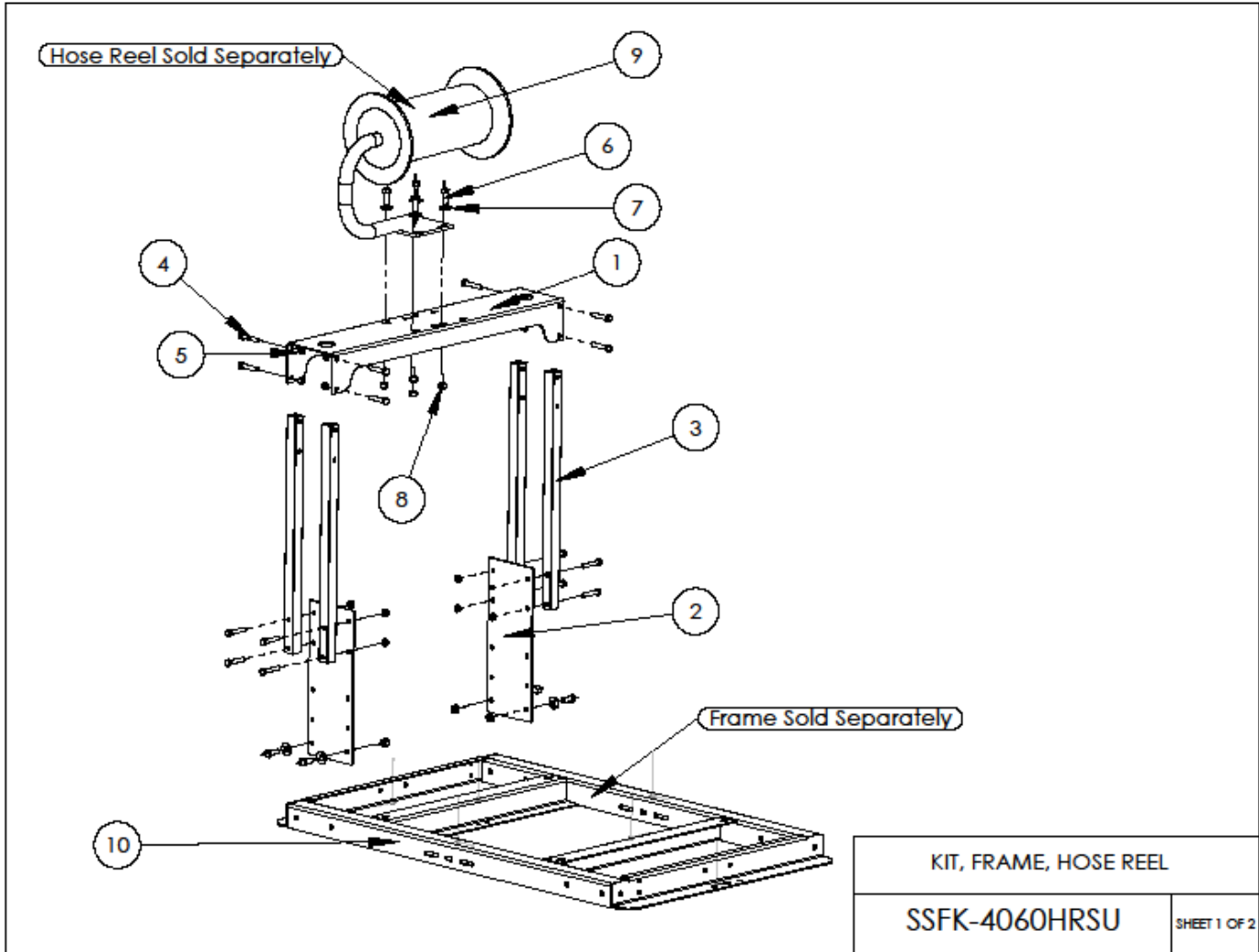
- 1.) Locate frame assembly (PT SSKF-4060HRSU), Skid Frame (32-100060 Sold Separately). Determine which side you are going to mount the riser kit to skid frame. Attach frame assembly to frame using (4) 3/8" x 1" Bolts (PT 33-100124), (4) 3/8" Flat Washer (PT 33-100130) & (4) 3/8" SF Nuts (PT 33-100131). Tighten securely.

### **Hose Reel Mounting**

- 1.) Following directions provided with hose reel manufacturer for hose reel mounting.

## **WARRANTY PARTS SERVICE**

Products sold shall be warranted from defects in workmanship and material when used within the service and scope for which they were designed for a period of one year from date of purchase. Warranty covers replacement parts ONLY. Contact Master Manufacturing for warranty parts at (800) 864-1649. Do not return product to your distributor/dealer. Please have your original sales receipt or other proof of purchase date when requesting any warranty parts. To ensure the correct parts are acquired always provide the model number of your sprayer/attachment and the part number and description obtained from the illustrated parts breakdown in this manual.



KIT, FRAME, HOSE REEL

SSFK-4060HRSU

SHEET 1 OF 2

5

1

4

3

2

1

**Parts List**  
**Part# SSFK-4060HRSU**

<b>Item No.</b>	<b>Part Number</b>	<b>Description</b>	<b>Qty.</b>
1	31-101073	Mount, Plate, Top	1
2	31-101071	Mount, Plate, Riser	2
3	31-101070	Mount, Tube, Upright	4
4	33-100119	Bolt, 5/16"-18 x 1.75"	16
5	33-100113	Nut, 5/16"-18, Serrated Flange	16
6	33-100124	Bolt, 3/8"-16 x 1"	8
7	33-100130	Washer, Flat, 3/8"	8
8	33-100131	Nut, 3/8" Serrated Flange	8
9	HR-75	Reel, Hose, 75' (NOT PROVIDED)	1
10	32-100060	Frame, 40/60 Gallon Skid (NOT PROVIDED)	1