

180 Lake Ave North
Paynesville, MN 56362
Phone: 1-800-864-1649
www.master-mfg.com



MASTER
MANUFACTURING

15/25 GALLON NEW DIRECTION
TRAILER KIT



Note: Do not return product to the distributor/dealer for warranty work. Call Master Manufacturing at (800) 864-1649 for any warranty work or replacement parts.

INTRODUCTION

The purpose of this manual is to assist you in the assembly, operation and maintenance of your sprayer or accessories. Please read through this manual completely too fully understand how to operate and maintain your equipment. This product has been manufactured to provide years of dependable service; proper operation and maintenance will ensure its dependability. Keep your manual in a safe, convenient place for future reference. Always mention the model and part number in any correspondence.

ASSEMBLY

The Lawn sprayer trailer kit is designed to fit many applications. It has been specifically designed to attach easily to other Master Manufacturing products. The following instructions are intended for the attachment of a Master Manufacturing 15 or 25 gallon spot sprayer to the trailer kit. Please refer to the trailer figure in this manual for reference to the following assembly instructions.

Trailer Assembly

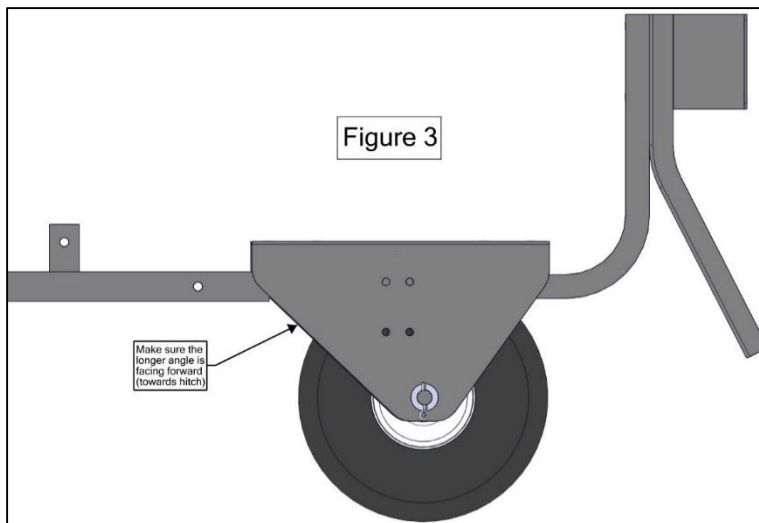
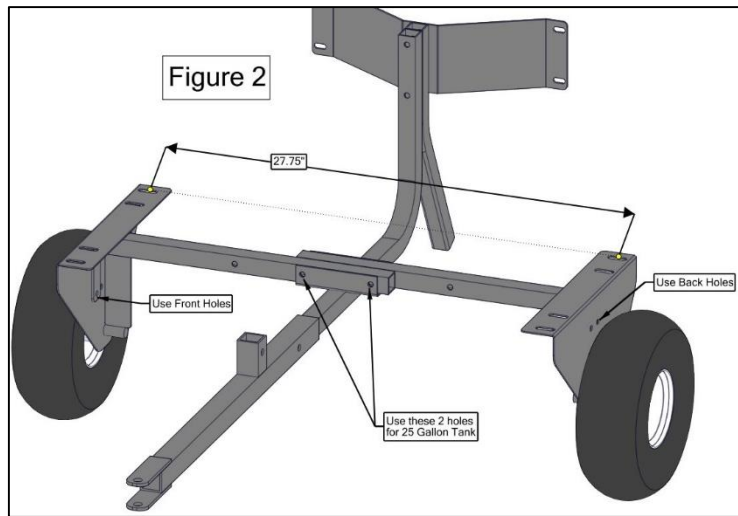
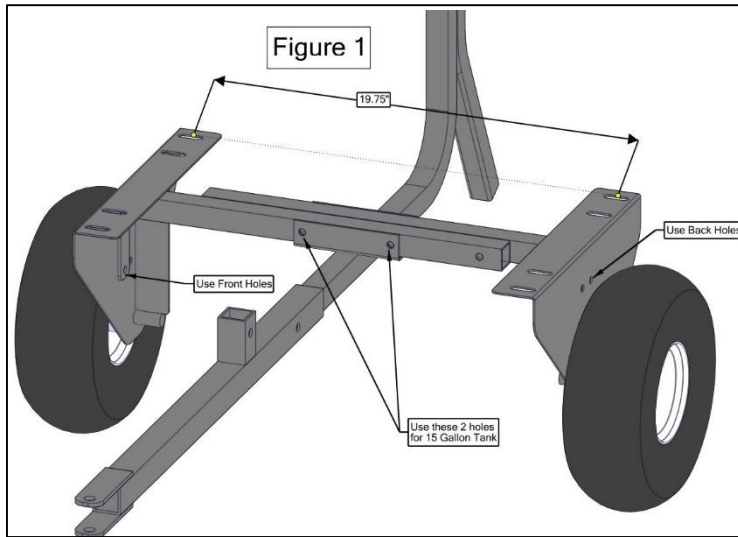
- 1.) Locate trailer frame center section Item 1 (PN 32-100071) and place frame on floor or a sturdy table.
- 2.) At this point it needs to be decided if the frame will be assembled for a 15 gallon sprayer or a 25 gallon sprayer. The holes placed in the two cross brackets item 2 (PN 32-100078) determine the width of the frame. Refer to Figure 1 for a 15 gallon tank or Figure 2 for a 25 gallon tank.
- 3.) Locate the two cross brackets Item 2 (PN 32-100078) and position them in channel from center frame section (PN 32-100071). Ensure the two cross brackets orientation is correct and align the proper holes for the correct tank size. Loosely fasten with two bolts item 12 (PN 33-100122) and nuts item 14 (PN 33-100113). Do not tighten bolts. Bolts will be tightened after tank is fastened.
- 4.) Locate the left axel assembly item 4 (PN 32-100075) and fasten to the left cross bracket Item 2 with two bolts item 13 (PN 33-100116) and nuts item 14 (PN 33-100113). Ensure the correct holes are used in the left axel assembly. Refer to Figure 1 or figure 2 for reference. Tighten securely. Ensure
- 5.) Locate the right axel assembly item 5 (PN 32-100074) and fasten to the right cross bracket Item 2 with two bolts item 13 (PN 33-100116) and nuts item 14 (PN 33-100113). Ensure the correct holes are used in the right axel assembly. Refer to Figure 1 or figure 2 for reference. Tighten securely.
- 6.) Locate washer item 15 (PN 33-100090) and place over left axel item 4. Place wheel item 8 (PN TWA410/350-4) over axel and secure with cotter pin Item 10 (PN 33-100091). Repeat this step to attach wheel item 8 to right axel item 5.
- 7.) Attach tongue item 3 (PN 32-100076) to center assembly with lock pin item 9 (PN 905PA).
- 8.) Attach stabilizer item 7 (PN 31-100283), boom mount item 6 (PN 31-100279) to center section using bolts item 11 (PN 33-100123) and nuts item 14 (PN 33-100113). Tighten securely.

Tank mounting

- 1.) Position sprayer tank over holes in trailer frame. Using the four bolts item 17 and washers item 18 (PN 33-100114 and PN 33-100115), thread all four bolts by hand into the tank. Position tank squarely on frame and tighten bolts securely. **Do not over tighten. Doing so may strip threaded insert in tank.**
- 2.) Tighten bolts item 12 securely from step 3 to securely fasten cross brackets item 2 to center frame item 1.

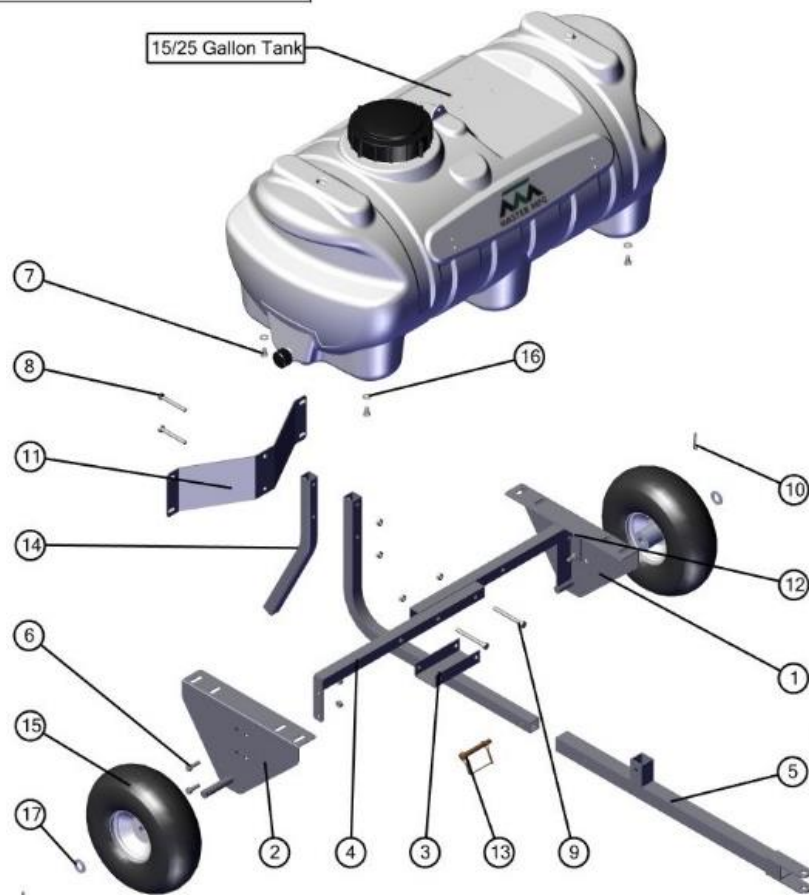
Boom Mounting

- 1.) Following directions provided with boom manufacturer, mount boom to boom brackets on trailer.



NEW DIRECTION TRAILER SPRAYER

SSFK-1525ND



BOM ID	Name	Description (config)	Qty
1	32-100075	Assy, Axel Left	1
2	32-100074	Assy, Axel Right	1
3	32-100071	Assy, Center	1
4	32-100078	Assy, Cross, Weldment	2
5	32-100076	Assy, Tongue	1
6	33-100116	Bolt, 5/16-18 x 1"	4
7	33-100114	Bolt, 5/16-18 x 1/2"	4
8	33-100123	Bolt, 5/16-18 x 2.5"	2
9	33-100122	Bolt, 5/16-18 x 3"	2
10	33-100091	COTTER PIN, 1/8" X 1"	2
11	31-100279	Mount, Boom, New Directional Sprayer	1
12	33-100113	Nut, 5/16-18 SF	8
13	905PA	Pin, Lock for PTO Adaptor	1
14	31-100283	Post, Stabilizer, New Direction Sprayer	1
15	TWA410-350-4	TIRE WHEEL ASSEMBLY	2
16	33-100115	Washer, 5/16", Zinc Plated	4
17	33-100090	Washer, Flat, Zinc, M16	2

WARRANTY PARTS SERVICE

Products sold shall be warranted from defects in workmanship and material when used within the service and scope for which they were designed for a period of one year from date of purchase. Warranty covers replacement parts ONLY. Contact Master Manufacturing for warranty parts at (800) 864-1649. Do not return product to your distributor/dealer. Please have your original sales receipt or other proof of purchase date when requesting any warranty parts. To ensure the correct parts are acquired always provide the model number of your sprayer/attachment and the part number and description obtained from the illustrated parts breakdown in this manual.