

180 Lake Ave North  
Paynesville, MN 56362  
Phone: 320-340-6464  
www.master-mfg.com



MASTER  
MANUFACTURING

7' BOOM KIT

Part Number SSBK-7 | Rev 4 Sep 2018

Note: Do not return product to the distributor/dealer for warranty work.  
Call Master Manufacturing at 320-340-6464 for any warranty work or replacement parts.

## INTRODUCTION

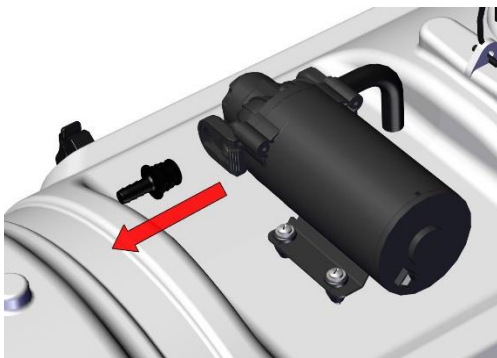
The purpose of this manual is to assist you in the assembly, operation and maintenance of your sprayer or accessories. Please read through this manual completely to fully understand how to operate and maintain your equipment. This product has been manufactured to provide years of dependable service, proper operation and maintenance will ensure its dependability. Keep your manual in a safe, convenient place for future reference. Always mention the model and part number in any correspondence.

## YOU WILL NEED TO DRILL A 3/4" HOLE IN THE TANK TO COMPLETE INSTALLATION. A SPADE DRILL OR HOLE SAW ARE IDEAL.

### ASSEMBLY

The Seven Foot Boom kit is designed to fit many applications. It has been specifically designed to attach easily to other Master Manufacturing products. The following instructions are intended for the attachment of the Seven Foot Boom to a Master Manufacturing spot sprayer, lawn trailer, 3-point sprayer or ATV kit.

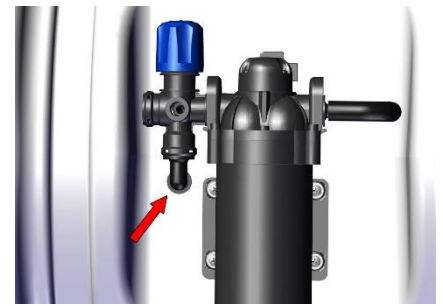
#### Manifold Replacement



**Figure 1**  
Remove Spray Gun Hose (not shown) and Fitting from Pump by pushing the Locking Clip to the rear.



**Figure 2**  
Locate Regulator Valve Assembly and insert into Pump port.



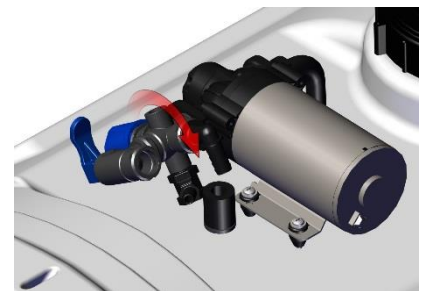
**Figure 3**  
Mark the center of the Return Fitting on the Tank, and remove the Regulator Valve.



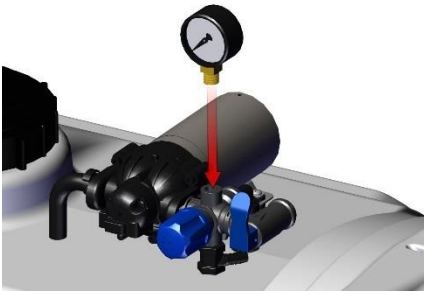
**Figure 4**  
Drill a 3/4" hole on the mark, and insert the Top Hat Grommet and Return Hose.



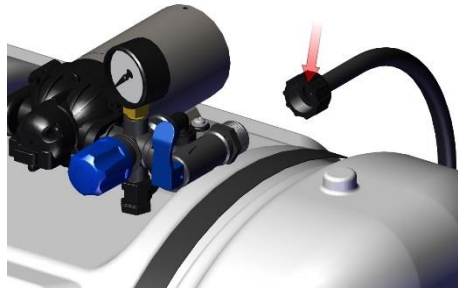
**Figure 5**  
Reinsert the Regulator Valve into the Pump.



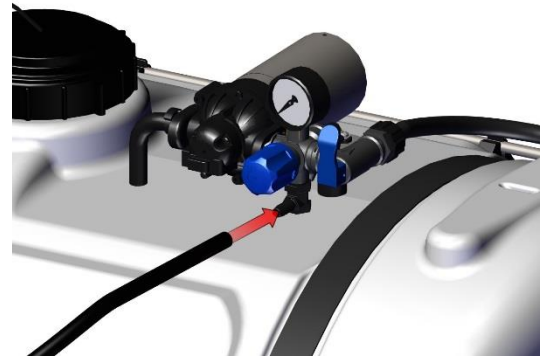
**Figure 6**  
Insert Return Fitting into Return Hose and secure with included F-size Clamp.



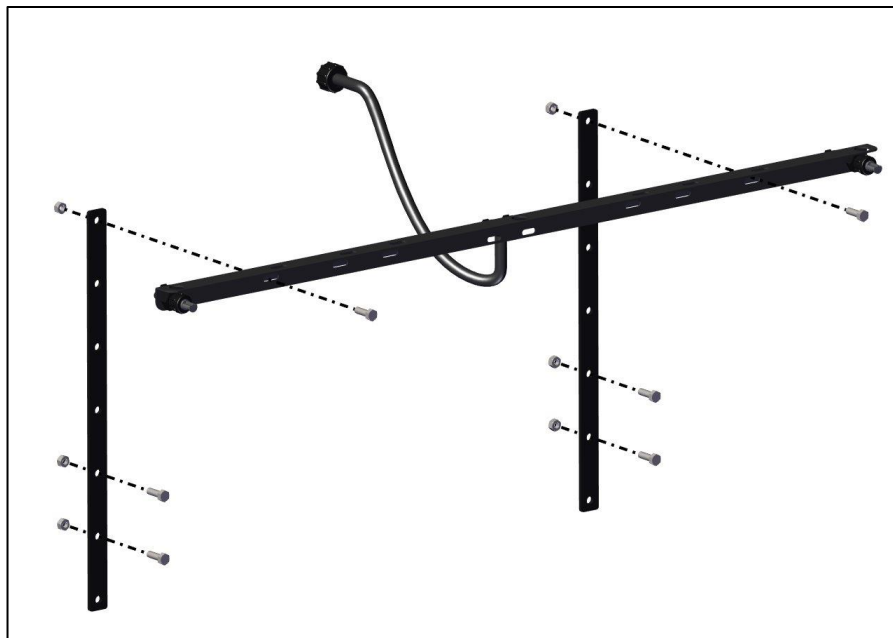
**Figure 7**  
Screw the Pressure Gauge into Valve Port on top of Regulator. Make sure the Pressure Gauge is well seated, being careful not to over tighten.



**Figure 8**  
Screw Boom Cap (34-140052) onto Boom Valve as shown.



**Figure 9**  
Attach Spray Gun Hose to Outlet Port on Regulator as shown. Secure Hose with F-Size Clamp and tighten with pliers. Make sure the Gauge will be facing you while operating.



**Figure 10**  
Attach the two Upright Spray Boom Brackets (PN 31-100160) to your lawn trailer, ATV angle brackets (shown), or other application using the four 5/16-18 x 1 bolts (PN 33-100116) and 5/16-18 nuts (PN 33-100113). Refer to the Operation and Calibration section for Boom mounting height.

Attach the Spray Boom (PN 34-140052) to the Upright Spray Boom Brackets using the two 5/16-18 x 1 bolts (PN 33-100116) and 5/16-18 nuts (PN 33-100113). Refer to the Operation and Calibration section for Boom mounting height.



## **CLEANING & STORAGE**

Most spray materials are highly corrosive. The most important aspect of long dependable service from the sprayer is a thorough cleaning immediately following each use. In addition, the residue of one type of chemical could cause an undesirable effect when a different chemical is used for a different purpose.

The most effective cleaning method is to pump several rinses of clean water through the tank, pump, hoses, boom, spray gun, etc. A neutralizing agent such as a solution of Nutra-Sol, a detergent or household ammonia as recommended by the chemical manufacturer can assist in removal of a persistent chemical. When the system is thoroughly cleaned, drain the tank, suction line, pump, and hoses.

The following steps should be followed for the maintenance and storage of your sprayer.

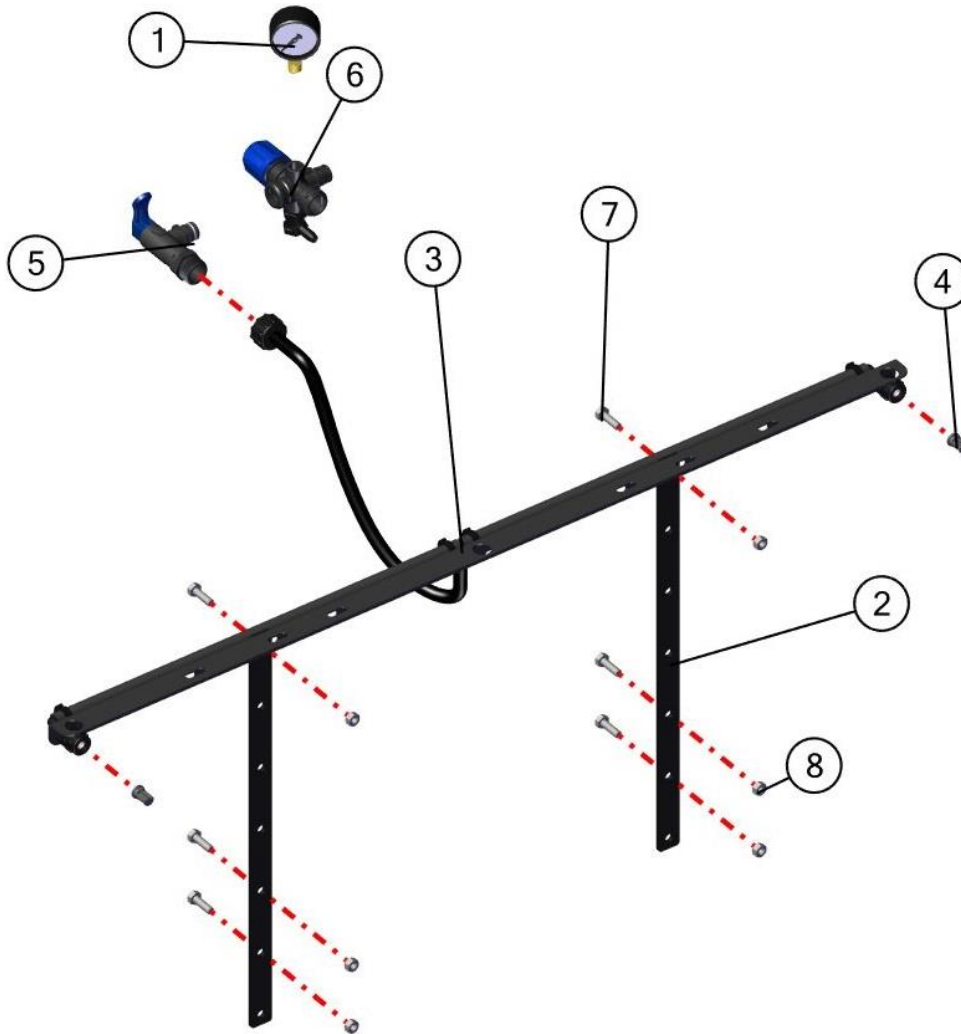
1. Wash and flush out sprayer after completion of each phase of your program. Flush out sprayer when changing chemicals if there is a possibility of the chemicals being incompatible. Use of a detergent is advisable if the chemical manufacturer does not make specific cleaning recommendations. Flush system completely, including nozzles. Never use metal objects to open clogged nozzles.
2. Clean sprayer thoroughly before storing at the end of the spraying season. Permanent type anti-freeze added to the final rinse will leave a rust inhibiting film in parts of the sprayer.

## **WARRANTY PARTS SERVICE**

Products sold shall be warranted from defects in workmanship and material when used within the service and scope for which they were designed for a period of one year from date of purchase. Warranty covers replacement parts ONLY. Contact Master Manufacturing for warranty parts at 320-340-6464. Do not return product to your distributor/dealer. Please have your original sales receipt or other proof of purchase date when requesting any warranty parts. To ensure the correct parts are acquired always provide the model number of your sprayer/attachment and the part number and description obtained from the illustrated parts breakdown in this manual.

SSBK-7FB

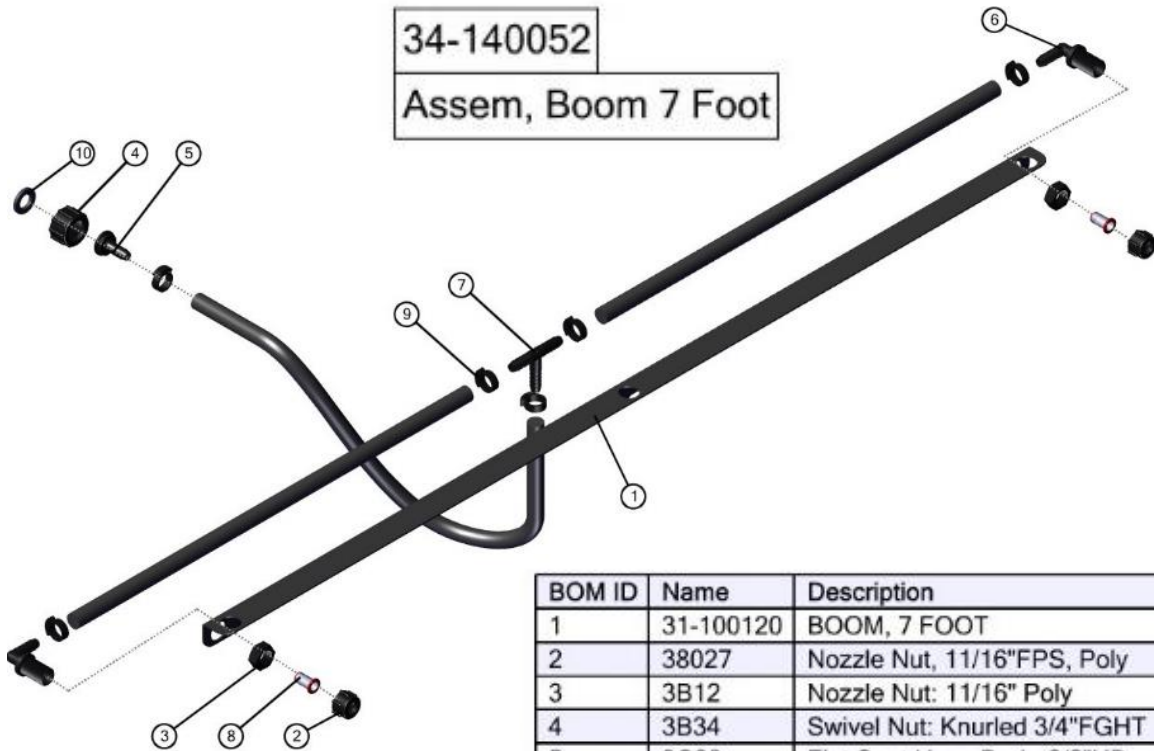
Kit, Boom, 7' Boxed



BOM ID	Name	Description	Qty
1	1124DAB100	Gauge, 2" ABS 1/4"LM 100psi	1
2	31-100160	Bracket, Upright, Spray Booms	2
3	34-140052	ASSEM, BOOM 7 FOOT	1
4	DF3.0	Nozzle, Deflect Tip, 3.0	2
5	34-140141	Valve, On/Off, Male QA x Female QA Ports	1
6	34-140118	Regulator, Assy, Sprayer	1
7	33-100116	Bolt, 5/16-18 x 1"	6
8	33-100113	Nut, 5/16-18, Serrated Flange	6

34-140052

Assem, Boom 7 Foot



BOM ID	Name	Description	Qty
1	31-100120	BOOM, 7 FOOT	1
2	38027	Nozzle Nut, 11/16"FPS, Poly	2
3	3B12	Nozzle Nut: 11/16" Poly	2
4	3B34	Swivel Nut: Knurled 3/4"FGHT	1
5	3C38	Flat Seat Hose Barb: 3/8"HB	1
6	3NTL38-C	Elbow: NxTHd-11/16"MPS x 3/8"HB	2
7	3T38	Tee: 3/8"HB x 3/8"HB x 3/8"HB	1
8	NS-50	Nozzle Strainer, 50M Red	2
9	SHC-F	SNAPPER HOSE CLIP	6
10	W406V	WASHER: 1"OD X 3/4" ID	1

34-140118

Regulator, Assy, Sprayer



BOM ID	Name	Description	Qty
1	3EL1438	Elbow: 1/4" MPT x 3/8" HB Poly	1
2	EF-QC-EL12	Fitting, 1/2" HB 90 Elbow	1

