

180 Lake Ave North
Paynesville, MN 56362
Phone: 320-340-6464
www.master-mfg.com



**MASTER
MANUFACTURING**

40/60 GALLON FLEX FRAME TRAILER KIT



Part Number SFFK-4060SL-MM | Rev 3 Jan. 2018

Note: Do not return product to the distributor/dealer for warranty work. Call Master Manufacturing at 320-340-6464 for any warranty work or replacement parts.

INTRODUCTION

Your Master Manufacturing Flex Frame Trailer Kit has been manufactured to provide years of dependable and efficient use. Proper operation and maintenance will ensure long satisfactory service. The purpose of this manual is to assist you in the assembly, operation and maintenance of your sprayer or accessories. Please read through this manual completely too fully understand how to operate and maintain your equipment. Keep your manual in a safe, convenient place for future reference. Always mention the model and part number in any correspondence.

Warnings

△ **Tank total weight filled with liquid must not exceed manufactures weight limit for vehicle. Refer to vehicle manufacture specifications**

TOOLS REQUIRED FOR ASSEMBLY

The following tools are required to assemble the Flex Frame Trailer Kit.

1/2" & 9/16" COMBINATION WRENCH



1/2" & 9/16" SOCKET WRENCH



PLIERS



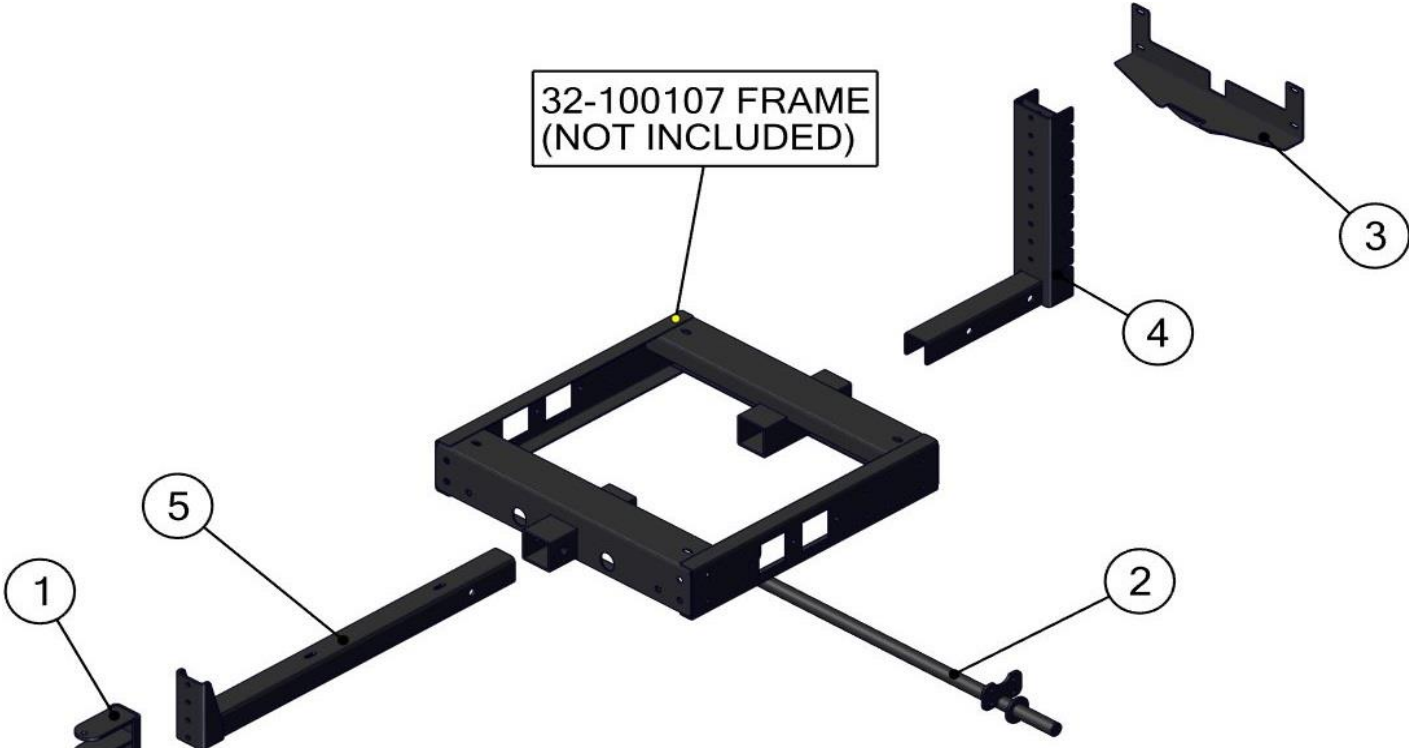
HARDWARE BAG CONTENTS

NOTE: The hardware bag may be either loose in the box or inside the tank. If you are missing any of the following hardware items, contact Master Manufacturing for replacements.

<u>QTY</u>	<u>PART NO.</u>	<u>ITEM</u>	<u>QTY</u>	<u>PART NO.</u>	<u>ITEM</u>
4	33-100116	5/16-18 X 1" HEX BOLT	2	P-7925	HAIR PIN
4	33-100113	5/16-18 FLANGE NUT	2	722HP	5/8" BENT PIN
4	33-100115	5/16 WASHER	1	33-100041	3/8" PUSH NUT
2	33-100124	3/8-16 X 1" HEX BOLT	1	33-100040	3/8-16 KNOB
2	33-100125	3/8-16 HEX NUT			
1	33-100039	3/8-16 X 2-3/4" CARRIAGE BOLT			

FLEX FRAME TRAILER KIT

KIT CONTENTS



BOM ID	Name	Description	Qty
1	32-100066	Hitch, Adj, 40 & 60 Gal	1
2	32-100100	Axel, Flex Frame, 40/60 Weld	1
3	32-100103	Mount, Room, Flex Frame, 40/60	1
4	32-100104	QA Boom Post, Flex Frame, 40/60	1
5	32-100106	Tongue, Flex Frame, 40/60	1

ASSEMBLY INSTRUCTIONS

The Trailer Kit has been specifically designed to attach easily to the 40 and 60 Gallon Master Manufacturing Flex Frame. Please refer to the figures in this manual for reference to the following assembly instructions.

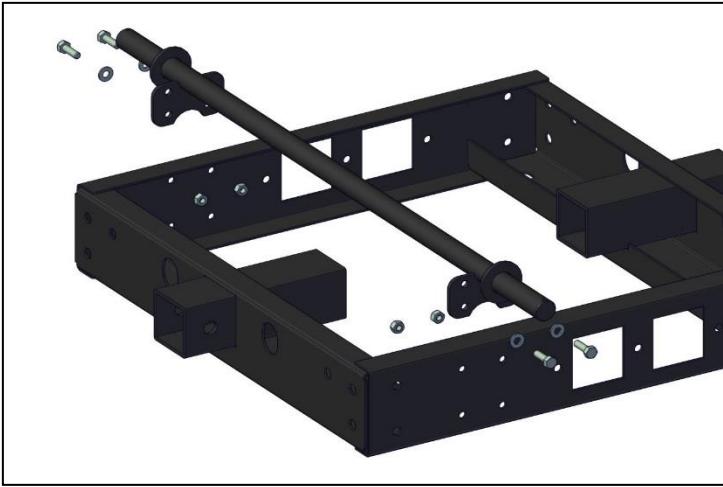


Figure 1

Turn Frame and Tank (not shown) assembly upside down, being careful not to damage the Pump or Hoses. Attach the Axle (32-100100) to the Frame using the 5/16-18 x 1" Hex Bolts, 5/16" Washers, and 5/16" Flange Nuts.

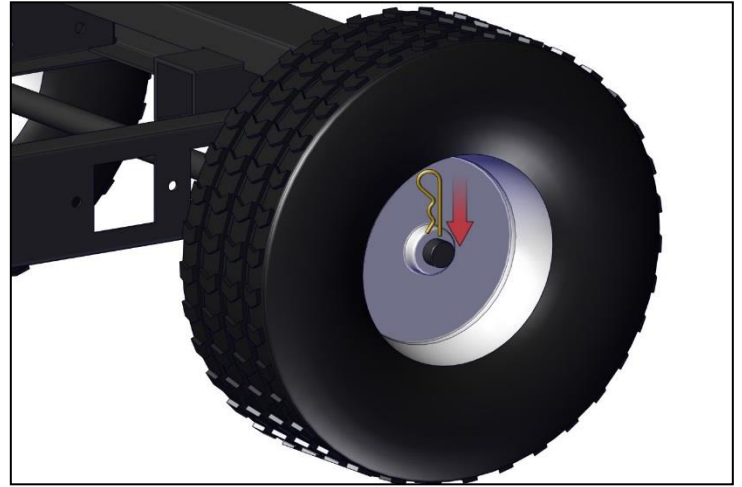


Figure 2

Attach the Tires (TWA16X6.50-8) to the Axle with the Hairpins (P-7925).

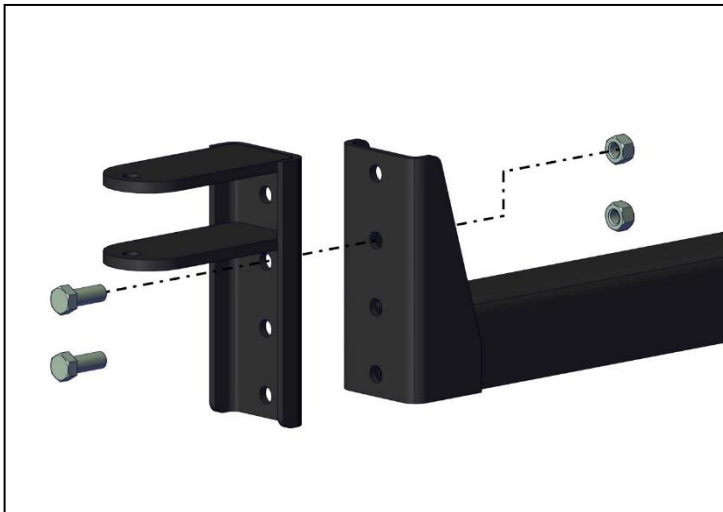


Figure 3

Attach the Hitch (32-100066) to the Tongue (32-100106) with the 3/8"-16 x 1" Hex Bolts and Nuts.

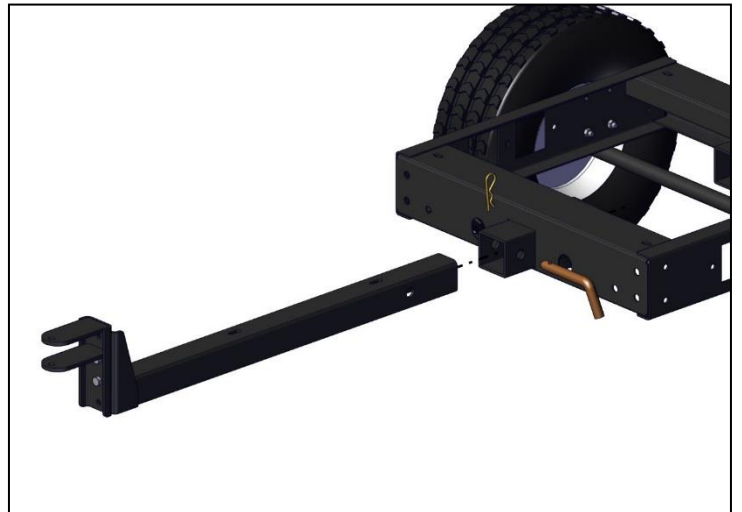


Figure 4

Insert the Tongue into the Front Receiver so the Axle is towards the rear. Fasten the Tongue using the 5/8" Bent Pin (722HP), and secure the Pin with the Reusable Cotter Pin.

FLEX FRAME TRAILER KIT

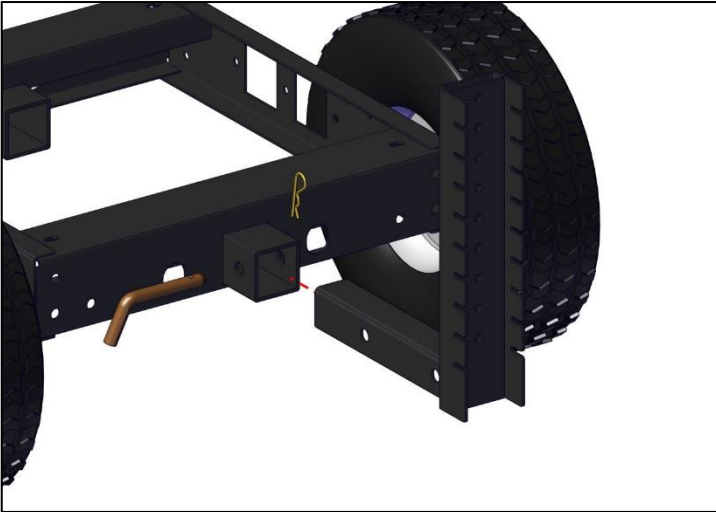


Figure 5

Insert the Boom Post (32-100104) into the Rear Receiver. Fasten the Boom Post using the 5/8" Bent Pin (722HP), and secure the Pin with the Reusable Cotter Pin.

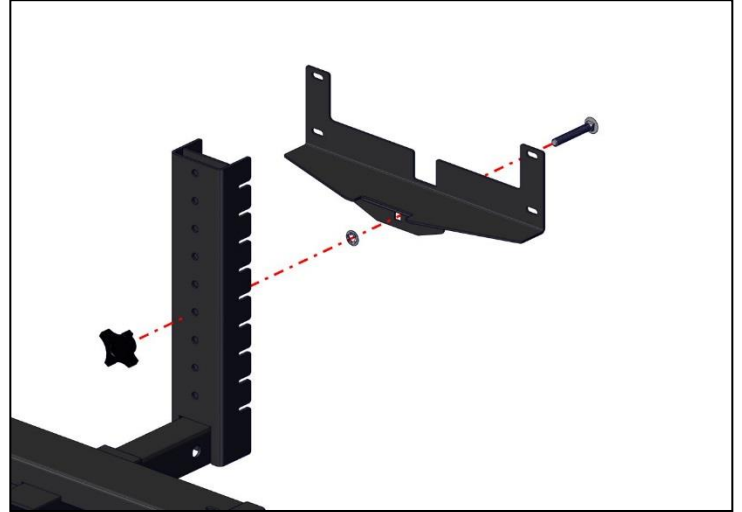


Figure 6

Secure the 3/8" Carriage Bolt to the Boom Mount (32-100103) with the Push Nut (33-100041). Attach the Boom Mount to the Boom Post using the Knob (33-100040). Follow the Instructions in the Boom Kit for adjusting the height of the Boom Mount.

WARRANTY PARTS SERVICE

Products sold shall be warranted from defects in workmanship and material when used within the service and scope for which they were designed for a period of one year from date of purchase. Warranty covers replacement parts ONLY. Contact Master Manufacturing for warranty parts at 320-340-6464. Do not return product to your distributor/dealer. Please have your original sales receipt or other proof of purchase date when requesting any warranty parts. To ensure the correct parts are acquired always provide the model number of your sprayer/attachment and the part number and description obtained from the illustrated parts breakdown in this manual.