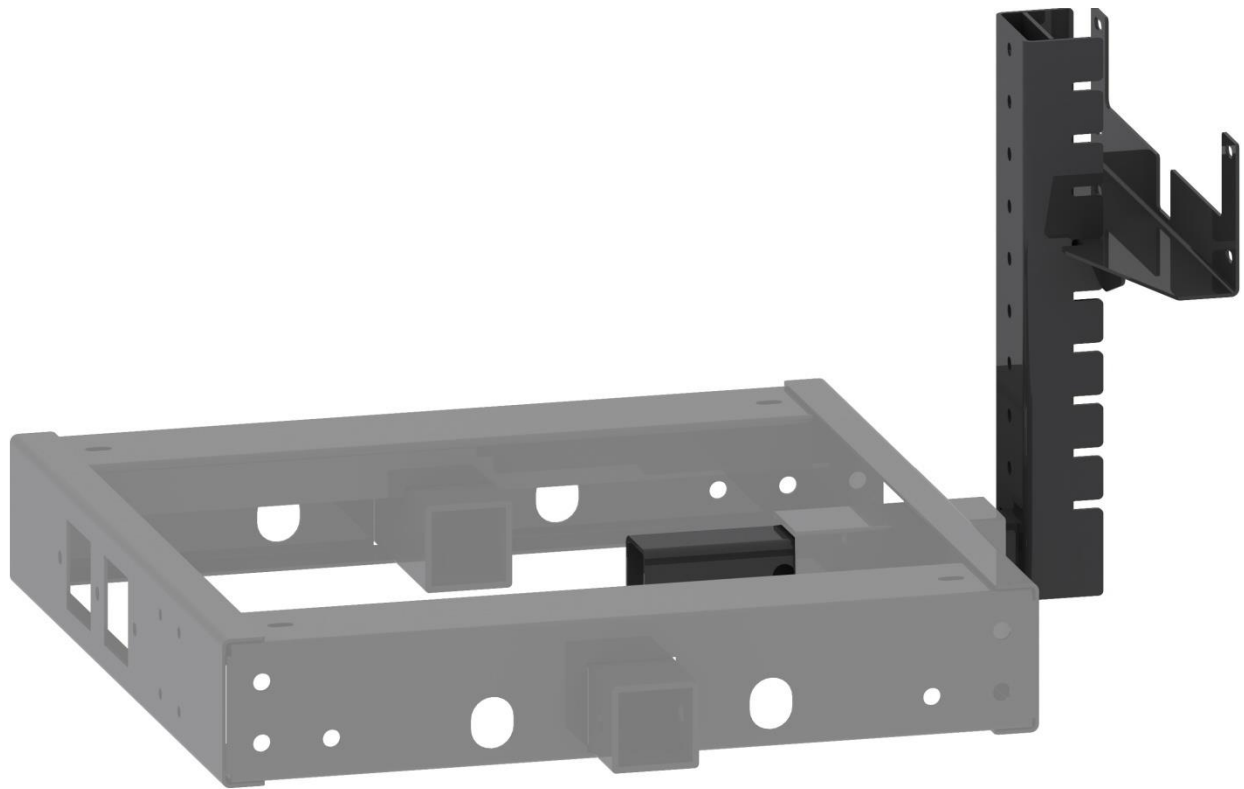


180 Lake Ave North
Paynesville, MN 56362
Phone: 320-340-6464
www.master-mfg.com



**MASTER
MANUFACTURING**

40/60 GALLON FLEX FRAME BOOM MOUNT KIT



Part Number SFFK-4060BM-MM | Rev 3 Jan 2018

FLEX FRAME BOOM MOUNT KIT

Note: Do not return product to the distributor/dealer for warranty work. Call Master Manufacturing at 320-340-6464 for any warranty work or replacement parts.

INTRODUCTION

Your Master Manufacturing Flex Frame Boom Mount Kit has been manufactured to provide years of dependable and efficient use. Proper operation and maintenance will ensure long satisfactory service. The purpose of this manual is to assist you in the assembly, operation and maintenance of your sprayer or accessories. Please read through this manual completely to fully understand how to operate and maintain your equipment. Keep your manual in a safe, convenient place for future reference. Always mention the model and part number in any correspondence.

Warnings

- △ **Tank and skid frame must be securely fastened to vehicle to ensure proper handling. Failure to fasten tank securely to vehicle may lead to injury.**
- △ **Tank total weight filled with liquid must not exceed manufactures weight limit for vehicle. Refer to vehicle manufacture specifications**

TOOLS REQUIRED FOR ASSEMBLY

The following tools are required to assemble the Flex Frame Boom Mount Kit.

9/16" COMBINATION WRENCH

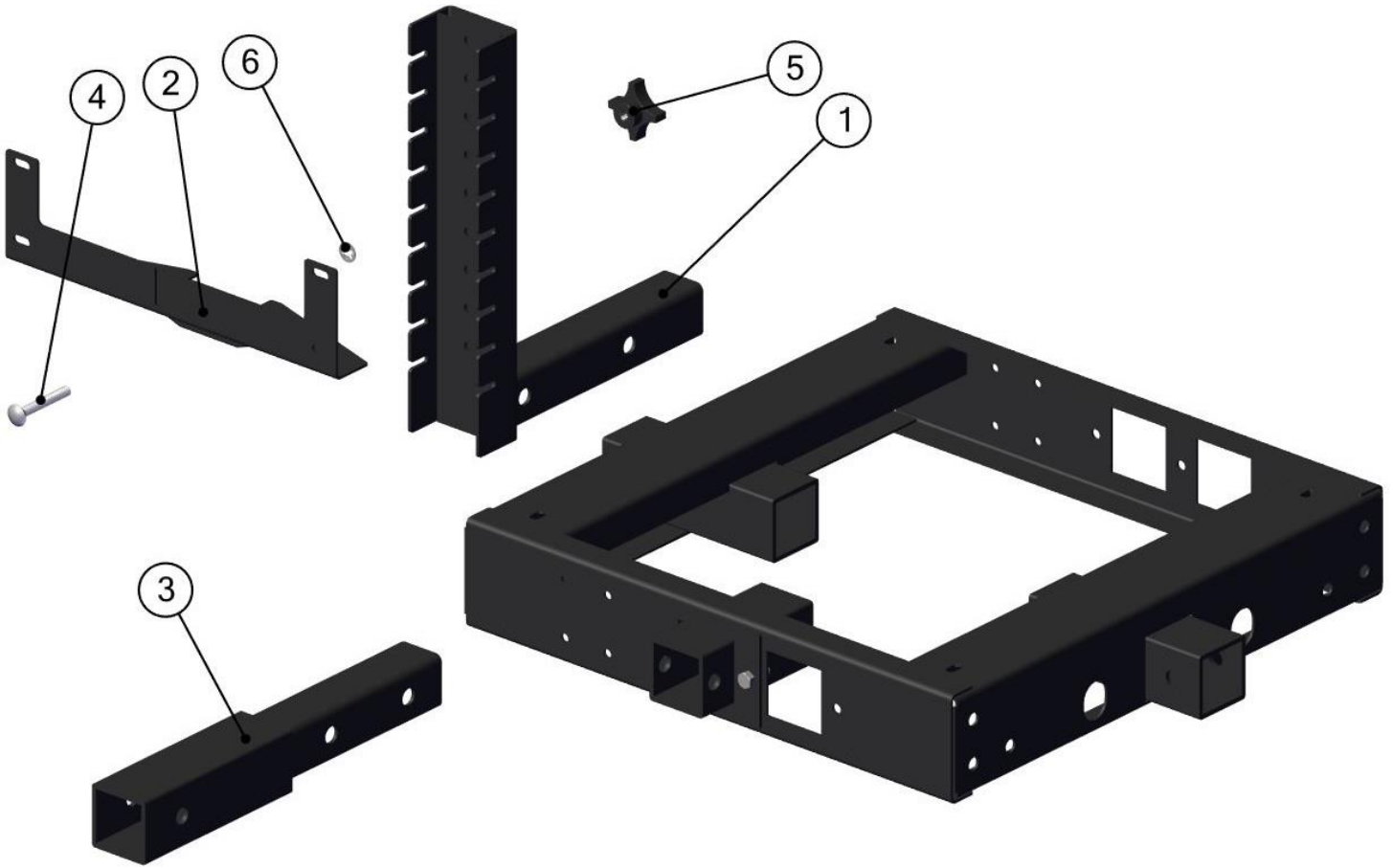


9/16" SOCKET WRENCH



FLEX FRAME BOOM MOUNT KIT

KIT CONTENTS



BOM ID	Name	Description	Qty
1	32-100104	QA Boom Post, Flex Frame, 40/60	1
2	32-100103	Mount, Boom, Flex Frame, 40/60	1
3	32-100108	Hitch Extension, Flex Frame, 40/60	1
4	33-100039	Bolt, Carriage, 3/8-16 x 2.75"	1
5	33-100040	Knob, 4-Arm, 3/8-16, Thru	1
6	33-100041	3/8 Push Nut	1

FLEX FRAME BOOM MOUNT KIT

ASSEMBLY INSTRUCTIONS

The Boom Mount Kit has been specifically designed to attach easily to the 40 and 60 Gallon Master Manufacturing Flex Frame. Please refer to the figures in this manual for reference to the following assembly instructions.

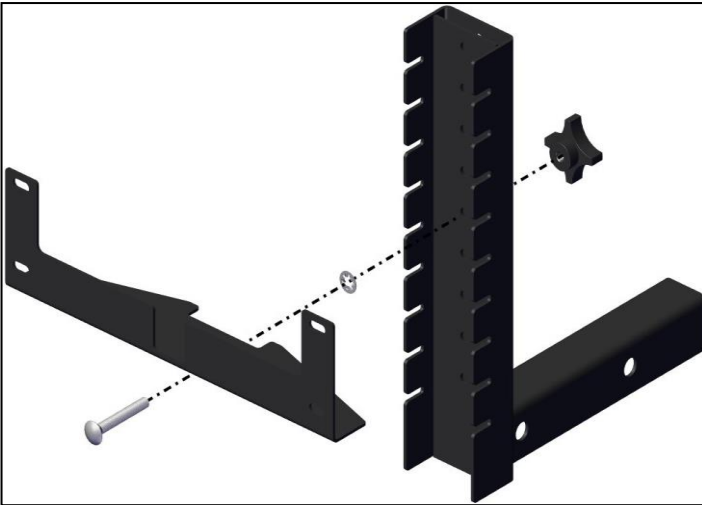


Figure 1

Insert the Carriage Bolt (33-100039) through the square hole on the Boom Mount and secure with the Push Nut (33-100041).

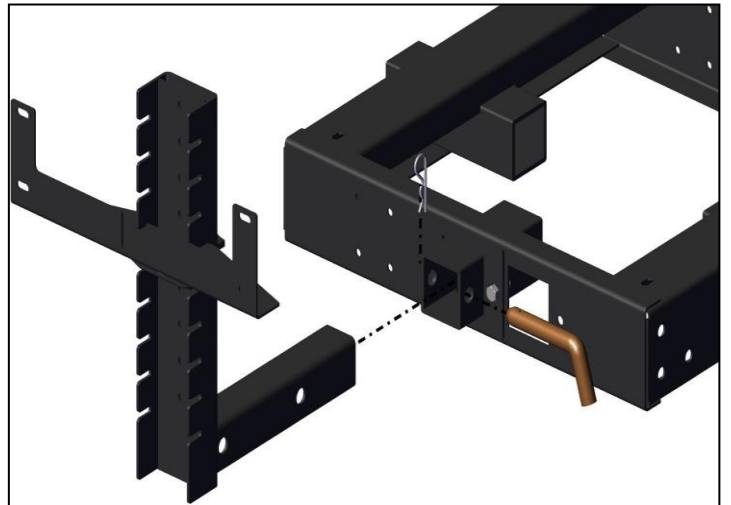


Figure 2

Insert the Boom Mount into the Receiver and secure with the Bent Pin (722HP) and Reusable Cotter Pin.

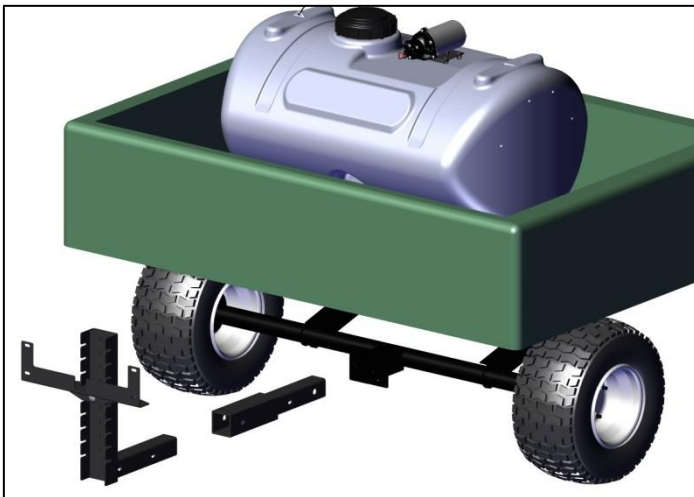


Figure 3

Optionally, you can use the Hitch Extension (32-100108) when using the boom mount on your Utility Vehicle.

WARRANTY PARTS SERVICE

Products sold shall be warranted from defects in workmanship and material when used within the service and scope for which they were designed for a period of one year from date of purchase. Warranty covers replacement parts ONLY. Contact Master Manufacturing for warranty parts at 320-340-6464. Do not return product to your distributor/dealer. Please have your original sales receipt or other proof of purchase date when requesting any warranty parts. To ensure the correct parts are acquired always provide the model number of your sprayer/attachment and the part number and description obtained from the illustrated parts breakdown in this manual.