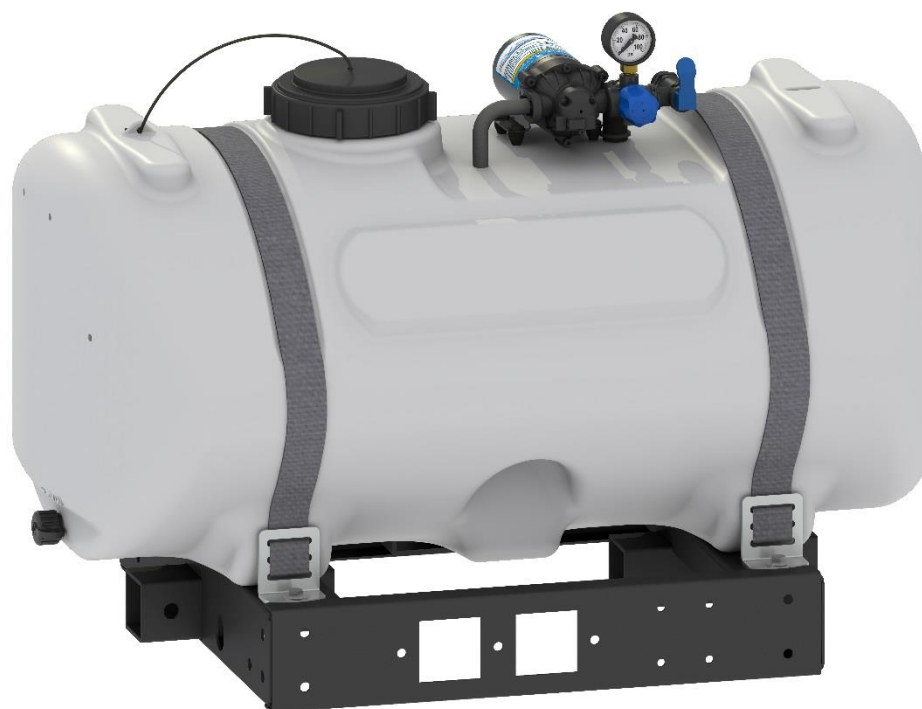


180 Lake Ave North
Paynesville, MN 56362
Phone: 320-340-6464
www.master-mfg.com



MASTER
MANUFACTURING

40/60 GALLON FLEX FRAME SKID



Part Numbers FSO-01-040A-MM/FSO-01-060A-MM | Rev 1 Feb. 2018

**Note: Do not return product to the distributor/dealer for warranty work.
Call Master Manufacturing at 320-340-6464 for any warranty work or replacement parts.**

INTRODUCTION

Your Master Manufacturing Flex Frame Skid Sprayer has been manufactured to provide years of dependable and efficient use. Proper operation and maintenance will ensure long satisfactory service. The purpose of this manual is to assist you in the assembly, operation and maintenance of your sprayer or accessories. Please read through this manual completely to fully understand how to operate and maintain your equipment. Keep your manual in a safe, convenient place for future reference. Always mention the model and part number in any correspondence.

Warnings

- △ Tank and skid frame must be securely fastened to vehicle to ensure proper handling. Failure to fasten tank securely to vehicle may lead to injury.**
- △ Tank total weight filled with liquid must not exceed manufactures weight limit for vehicle. Refer to vehicle manufacture specifications**

TOOLS REQUIRED FOR ASSEMBLY

The following tools are required to assemble the Flex Frame Skid Sprayer.

PLIERS

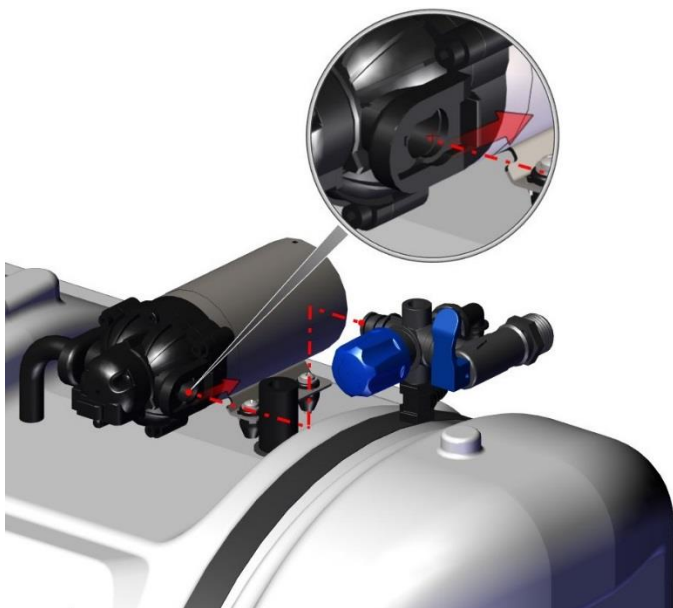


ASSEMBLY INSTRUCTIONS

The Flex Frame Skid Sprayer has been mostly assembled at the factory. Please refer to the figures in this manual for reference to the remaining assembly instructions.

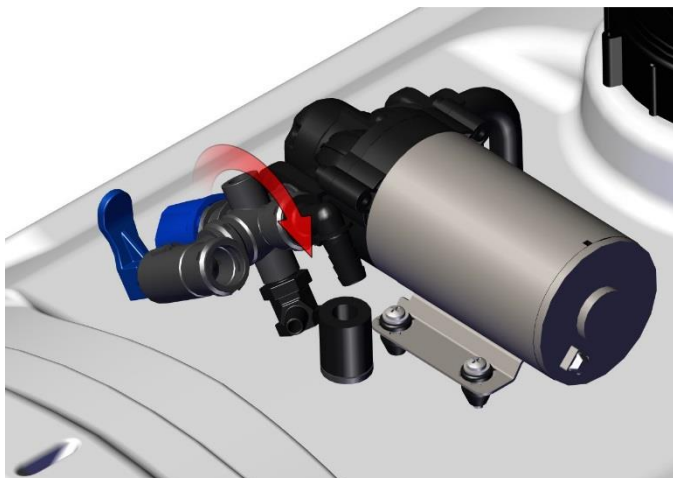
NOTE:

- When assembling the sprayer, take note of the location and direction of the controls to ensure that they will be accessible while operating the sprayer.



Step 1

Slide the Locking Clip on the Pump into the 'open' position. Insert the Regulator Assembly (PN 34-140118) into the Pump Outlet, making sure it is fully seated. Slide the Locking Clip into the 'locked' position to secure.

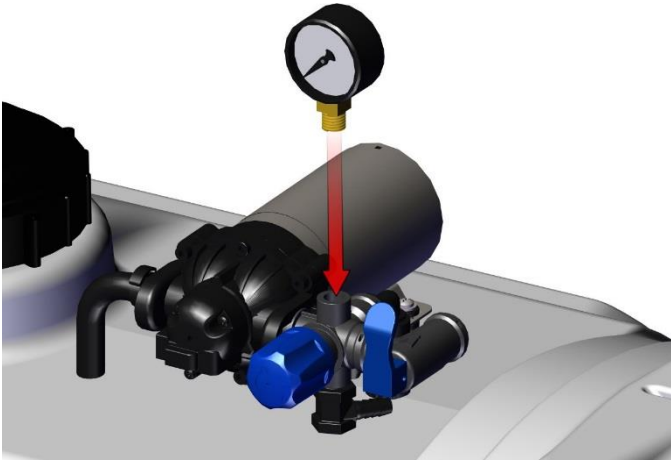


Step 2

Insert Return Barb into Return Hose in tank. Secure with Snapper Hose Clip (SHC-F) and tighten with pliers to prevent leaking.

Step 3

Screw the Pressure Gauge (PN 1124DAB100) into the Valve Port on the Regulator. Make sure the Pressure Gauge is well seated, being careful not to overtighten. Make sure the Gauge will be facing you while being used so you are able to monitor the pressure while operating.



Step 4

Install gun clips using screws provided in kit.

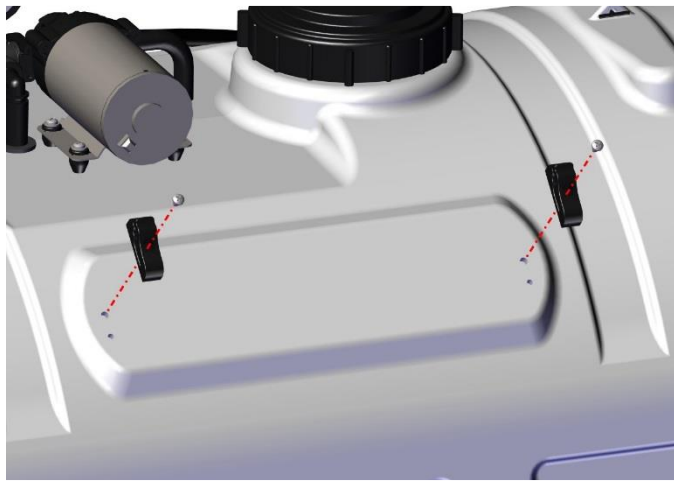
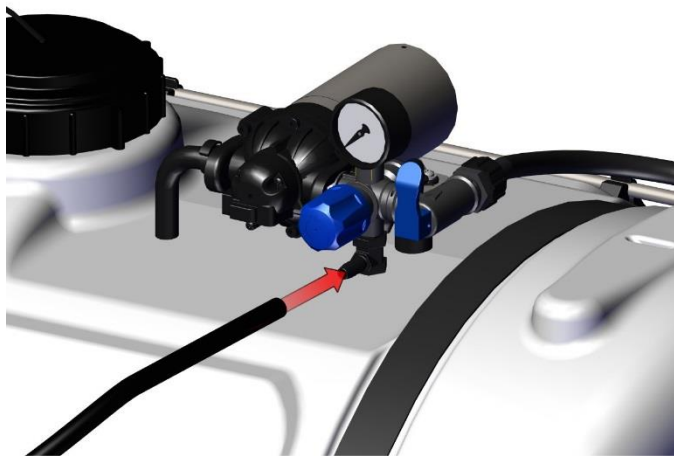


Figure 5

Attach gun hose to discharge port on the Regulator. Secure with hose clamp.



FLEX FRAME 3 POINT

Step 6

Secure spray gun in clips as shown.



Figure 7

Attach the Side Receiver to the Flex Frame with 3/8-16 x 1" bolts and 3/8-16 nuts.

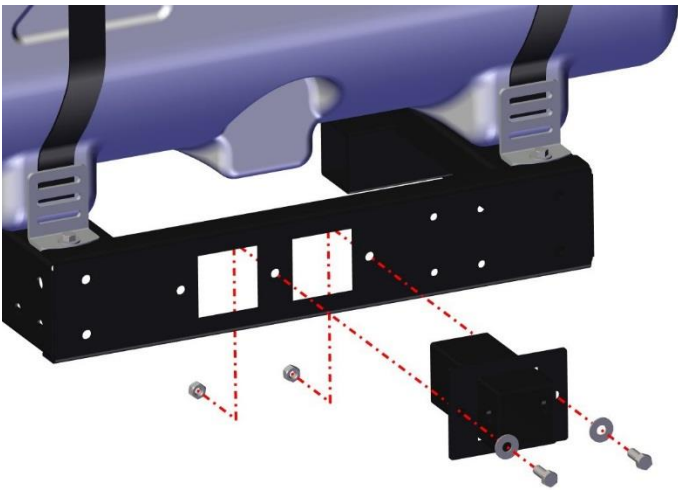
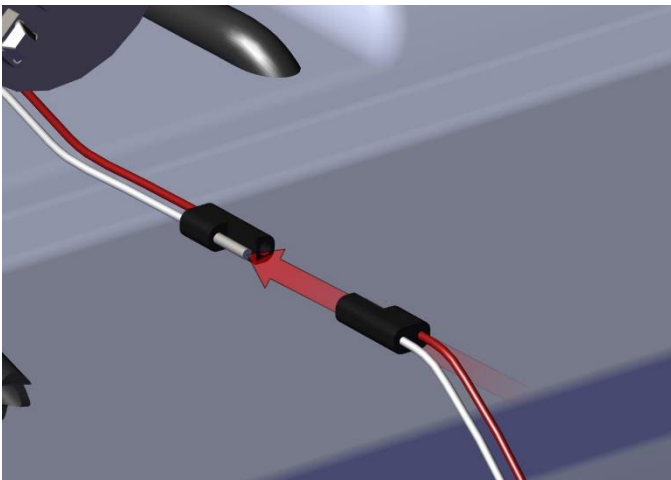


Figure 11

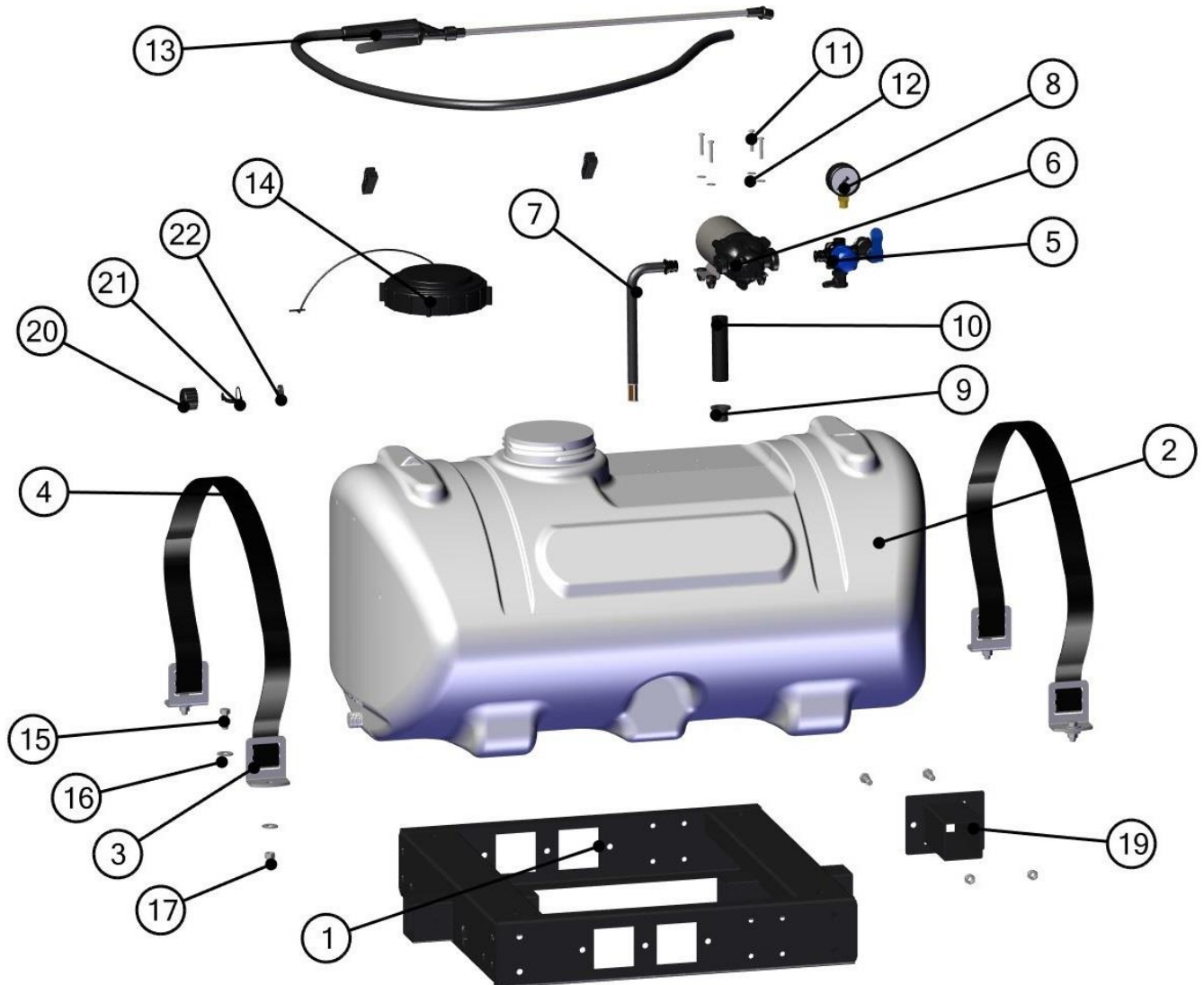
Attach the new wiring harness with inline switch to the sprayer pump by pushing the two terminal connectors together.



WARRANTY PARTS SERVICE

Products sold shall be warranted from defects in workmanship and material when used within the service and scope for which they were designed for a period of one year from date of purchase. Warranty covers replacement parts ONLY. Contact Master Manufacturing for warranty parts at 320-340-6464. Do not return product to your distributor/dealer. Please have your original sales receipt or other proof of purchase date when requesting any warranty parts. To ensure the correct parts are acquired always provide the model number of your sprayer/attachment and the part number and description obtained from the illustrated parts breakdown in this manual.

FLEX FRAME 3 POINT



BOM ID	Description	Description	Qty
1	32-100107	FRAME, FLEX, WELD, 40/60	1
2	33-103276	TANK, 40GAL, WITH SUMP, WHITE	1
	33-103277	TANK, 60GAL, WITH SUMP, WHITE	1
3	TD-150	CLAMP, TIE DOWN, 1.5" STRAP, ZINC	4
4	TDS-40-Gal	TIE DOWN STRAP, POLYESTER, BLACK, 1.5" X 55"	2
5	34-140118	REGULATOR, ASSY, SPRAYER	1
6	EF2200-QC	PUMP, 2.2GPM, 12V, EVERFLO	1
7	33-103133	HOSE ASSEMBLY, 3/8" X 21", W/FILTER	1
8	1124DAB100	GAUGE, 2" ABS 1/4" LM 100PSI	1
9	33-100098	GROMMET, TOP HAT, BLACK, 3/4" HB, 1/2" HOSE	1
10	33-103622-5	HOSE, RUBBER, EPDM, 1/2" ID X 5" LONG, 13/16" OD	1
11	33-103127	SCREW, MACHINE, 10-24 X 1"	4
12	33-103131	WASHER, #10, ZINC	4
13	SG-4507F	WAND, WITH FILTER	1
14	33-103221	LID, TANK, 5"W .25" HOLE	1
15	33-100124	BOLT, 3/8-16 X 1", HEX HEAD	6
16	33-100130	WASHER, FLAT, 3/8"	8
17	33-100136	NUT, NYLON LOCK, 3/8"	6
18	HOSE-STRAP-CSK	HOSE STRAP (NOT SHOWN)	1
19	32-100102	RECEIVER, SIDE, FLEX FRAME 40/60	1
20	33-103218	OUTLET CAP, 3/4" BLACK	1
21	33-103219	TETHER, DRAIN, SHORT, BLACK	1
22	33-103220	GASKET, 3/4 SUPERSEAL	1