

180 Lake Ave North
Paynesville, MN 56362
Phone: 320-340-6464
www.master-mfg.com



MASTER MFG

SPOT SPRAYER



15 and 25 gallon Spot Sprayers | Rev 4 Jan 2018

**Note: Do not return product to the distributor/dealer for warranty work.
Call Master Manufacturing at 320-340-6464 for any warranty work or replacement parts.**

INTRODUCTION

Your Master Manufacturing Spot Sprayer has been manufactured to provide years of dependable and efficient use. Proper operation and maintenance will ensure long satisfactory service. The purpose of this manual is to assist you in the assembly, operation and maintenance of your sprayer or accessories. Please read through this manual completely to fully understand how to operate and maintain your equipment. Keep your manual in a safe, convenient place for future reference. Always mention the model and part number in any correspondence.

ASSEMBLY



Figure 1
Check inside Tank for any foreign objects. Install Gun Clips with provided screws.



Figure 2
Attach Hose to Discharge Port of the Diaphragm Pump, using the plastic clamp provided.



Figure 3
Secure Wand in Wand Clips.

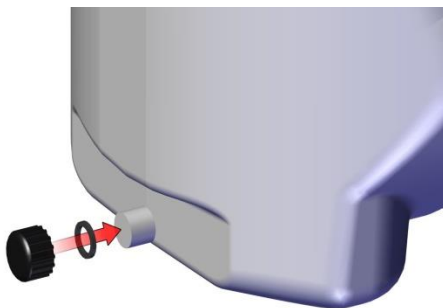


Figure 4
Install drain cap with washer.

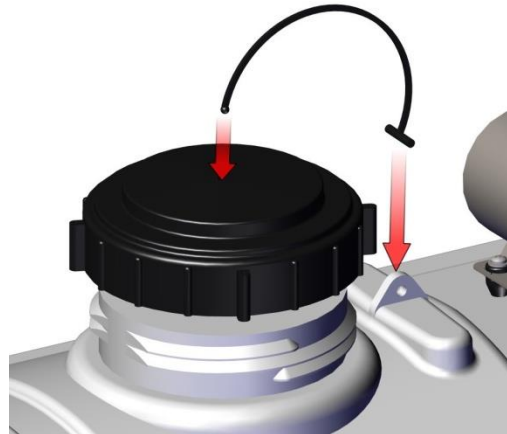


Figure 5
Install Tank Lid Tether.

OPERATION

Operating power is obtained directly from a 12 VDC source. Be sure to connect the red to the positive (+) source and attach the black to the negative (-) source. Before spraying chemicals, fill the tank half full of plain water to allow familiarization with the sprayer and to prevent waste of expensive chemicals. This unit is fitted with a pressure regulator for ease of use in both boom spraying and spot spraying (lance spraying) operations.

FOR SPOT SPRAYING – When spot spraying, pump will run continuously. Using regulator adjustment, (brass tee) rotate clockwise or counter clockwise until desired pressure (visible on gauge) is reached. It is recommended that for normal spot spraying duties, pump should run at 40-50PSI when using lance. If pump “cycles” or “Surges” during lance operation, decrease pressure by adjusting regulator counter -clockwise until surging stops and desired pressure is reached.

BOOM OPERATION – When spraying using boom, use regulator adjustment to achieve desired pressure output and application rate. To increase pressure; rotate adjustment clockwise; to decrease pressure, rotate counter-clockwise. For handy tips on spray nozzle calibration and application rates, visit www.rapidspray.net/product-support/spray-nozzles-a-data.

SPRAYER MAINTENANCE

A sprayer is a carefully designed and built machine that should provide many years of reliable service if properly cared for, the main rule in caring for any sprayer is: *KEEP IT CLEAN*. Neglect costs dollars in repairs, wasted spray material and premature replacement of the sprayer.

CLEANING & STORAGE

Most spray materials are highly corrosive. The most important aspect of long dependable service from the sprayer is a thorough cleaning immediately following each use. In addition, the residue of one type of chemical could cause an undesirable effect when a different chemical is used for a different purpose.

The most effective cleaning method is to pump several rinses of clean water through the tank, pump, hoses, boom, spray gun, etc. A neutralizing agent such as a solution of Nutra-Sol, a detergent or household ammonia as recommended by the chemical manufacturer can assist in removal of a persistent chemical. When the system is thoroughly cleaned drain the tank, suction line, pump, hoses, etc.

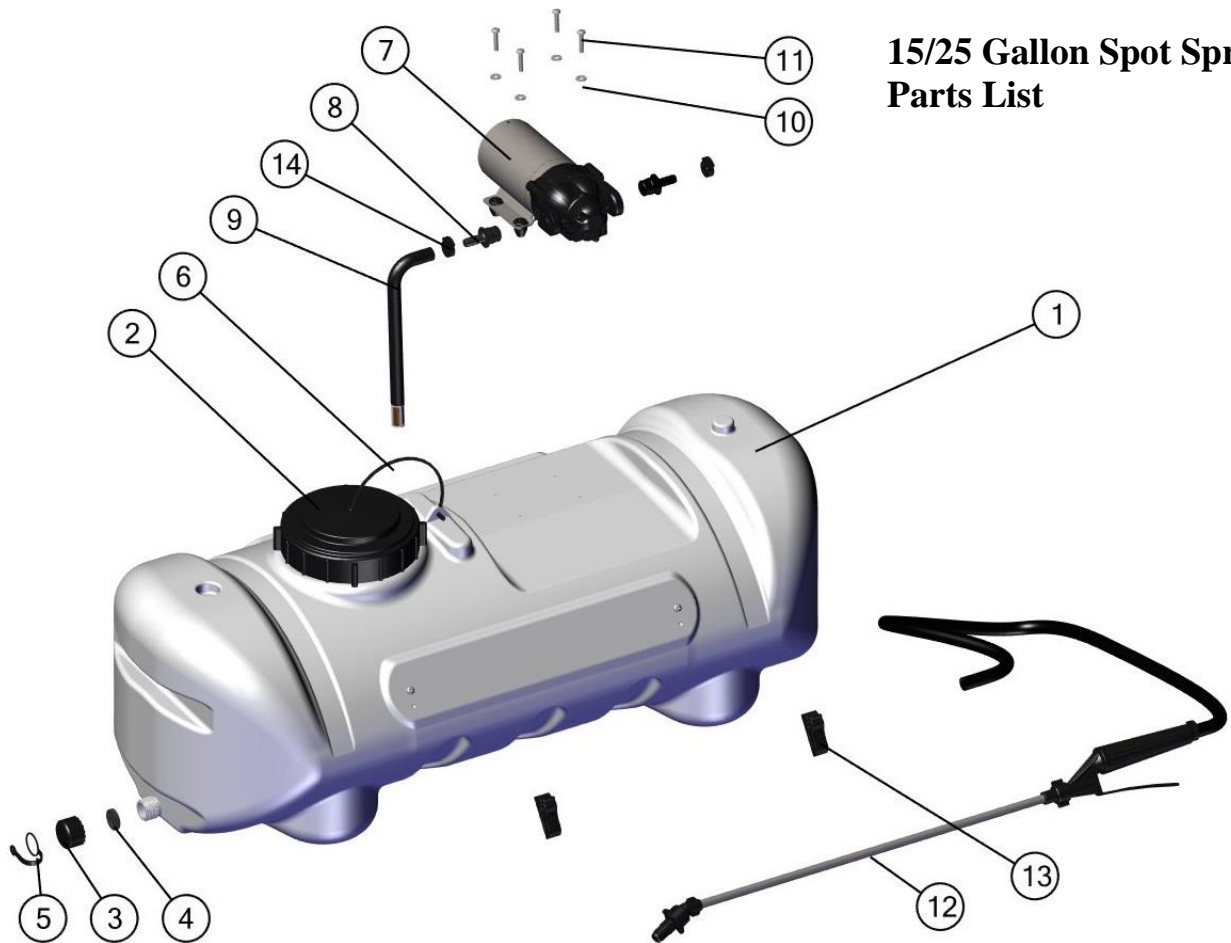
The following steps should be followed for the maintenance and storage of your sprayer.

1. Wash and flush out sprayer after completion of each phase of your program. Flush out sprayer when changing chemicals if there is a possibility of the chemicals being incompatible. Use of a detergent is advisable if the chemical manufacturer does not make specific cleaning recommendations. Flush system completely, including nozzles. Never use metal objects to open clogged nozzles.
2. Clean sprayer thoroughly before storing at the end of the spraying season. Permanent type anti-freeze added to the final rinse will leave a rust inhibiting film in parts of the sprayer.

WARRANTY

Products sold shall be warranted from defects in workmanship and material when used within the service and scope for which they were designed for a period of one year from date of purchase. Warranty covers replacement parts ONLY. Contact Master Manufacturing for warranty parts at 320-340-6464. Do not return product to your distributor/dealer. Please have your original sales receipt or other proof of purchase date when requesting any warranty parts. To ensure the correct parts are acquired always provide the model number of your sprayer/attachment and the part number and description obtained from the illustrated parts breakdown in this manual.

15/25 Gallon Spot Sprayer Parts List



BOM ID	Description	Description	Qty
1	33-103231	TANK, 15 GAL, SPRAYER	1
	33-103230	TANK, 25 GAL, SPRAYER	1
2	33-103221	LID, TANK, 5"W .25" HOLE	1
3	33-103218	OUTLET CAP, 3/4" BLACK	1
4	33-103220	GASKET, 3/4 SUPERSEAL	1
5	33-103219	TETHER, DRAIN, SHORT BLACK	1
6	33-103222	LANYARD, LID SHORT BLACK	1
7	EF1000	PUMP, 1GPM EVERFLO	1
	EF2200-QA	PUMP, 2.2GPM EVERFLO	1
	EF3000-QA	PUMP, 3GPM EVERFLO	1
	33-103229	PUMP, 1GPM SHURFLO	1
	33-103232	PUMP, 1.8GPM SHURFLO	1
	33-103242	PUMP, 3GPM SHURFLO	1
	33-103208	PUMP, 1GPM DELAVAN	1
	33-103209	PUMP, 2GPM DELAVAN	1
	33-103205	PUMP, 3GPM DELAVAN	1
8	EF-QC-A38	FITTING, QA X 3/8" HB, BLACK, STRAIGHT	2
9	33-103133	HOSE ASSEMBLY, 3/8" X 21", W/FILTER	1
10	33-103131	WASHER, #10, ZINC	4
11	33-103127	SCREW, MACHINE, 10-24 X 1"	4
12	SG-4507F-38-RUB15-P	SPRAY GUN ASSEMBLY, 3/8" X 15' HOSE	1
	SG-2218-38	SPRAY GUN ASSY, 3/8" 15'	1
13	GC-100-KIT	CLIP, GUN (PAIR)	2
14	SHC-F	SNAPPER HOSE CLIP	3