

123 Industrial Loop Road  
Paynesville, MN 56362  
Phone: 1-800-864-1649  
www.master-mfg.com



MASTER  
MANUFACTURING

ATV FRAME KIT



Part Number SSFK-ATV | Rev 1 Oct. 2008

## INTRODUCTION

The purpose of this manual is to assist you in the assembly, operation and maintenance of your sprayer or accessories. Please read through this manual completely too fully understand how to operate and maintain your equipment. This product has been manufactured to provide years of dependable service; proper operation and maintenance will ensure its dependability. Keep your manual in a safe, convenient place for future reference. Always mention the model and part number in any correspondence.

## ASSEMBLY

The ATV frame kit is designed to fit many applications. It has been specifically designed to attach easily to other Master Manufacturing products. The following instructions are intended for the ATV frame kit to be attached to a Master Manufacturing 15 or 25 gallon spot sprayer. Please refer to the figure in this manual for reference to the following assembly instructions.



### Frame Assembly

- 1.) Locate the two tank bottom mounts (PN 31-100140-R & 31-100140-L).
- 2.) Position the two brackets under the tank as shown in the figure. Attach the brackets to the tank with four 5/16" washers and 5/16"-18 x 1/2" bolts (PN 33-100115 & 33-100114). Tighten bolts securely (Do Not over tighten).
- 3.) Position tank with bottom brackets onto ATV rack and fasten securely with U-bolts directly to slots in bottom brackets and ATV rack or straps (Not supplied). **Warning: Tank must be securely fastened to ATV to ensure proper handling. Failure to fasten tank to ATV may lead to injury.**
- 4.) Attach angle brackets (PN 31-100139) to bottom mounts (PN 31-100140-R & 31-100140-L) with 4 our 5/16-18 x 1" bolts (PN 33-103116) and 5/16" serrated nuts (PN 33-103116).

### Boom Mounting

- 1.) Following directions provided with boom manufacturer, mount boom to angle brackets.

## Warnings

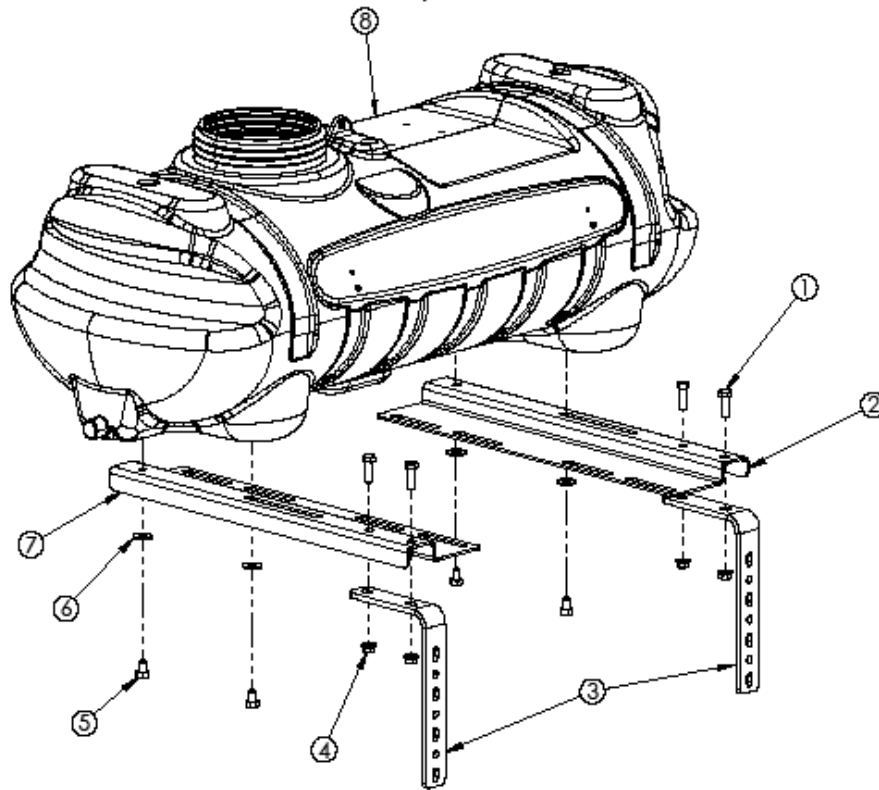
-  **Tank must be securely fastened to ATV to ensure proper handling. Failure to fasten tank securely to ATV may lead to injury.**
-  **Tank total weight filled with liquid must not exceed manufactures weight limit for front or rear racks. Refer to manufacture specifications**

## WARRANTY PARTS SERVICE

Products sold shall be warranted from defects in workmanship and material when used within the service and scope for which they were designed for a period of one year from date of purchase. Contact your distributor/ dealer for replacements parts or warranty work. Please have your original sales receipt or other proof of purchase date when requesting any warranty work.

To ensure the correct parts are acquired always provide the model number of your sprayer/attachment and the part number and description obtained from the illustrated parts breakdown in this manual.

Item 8 is NOT included  
in this Assembly.



Item No.	Part Number	Description	Qty.
1	31-100140-R	Spot sprayer bottom mount, right	1
2	33-100115	Washer, 5/16	4
3	33-100114	Screw, Cap, 5/16-18 x 1/2"	4
4	33-100113	Nut, 5/16-18, serrated	4
5	31-100139	Angle bracket	2
6	31-100140-L	Spot sprayer bottom mount, Left	1
7	33-100116	Screw, cap, 5/16-18 x 1"	4
8	33-103231	Tank, (Not Included)	1